

# ROBSON

## HANDLING TECHNOLOGY

### Screw Conveyors

Robson have a specialized dedicated team in the design and construction of Screw Conveyors.

Each Conveyor is bespoke to the customer's requirements, with infinite choices for the **Size, Speed, Material or Application.**

Screw conveyors have a variety of uses. Variations in the flight design allow **Screws** to:

- Convey
- Mix
- Feed
- Elevate

Materials such as Sugar, Cement, Biomass, Effluent, Sludge Cake, Food stuffs, Animal Feed, Ash, Refuse, Glass Cullet, Granules, Limestone, Meals, Salt, Sand, Wheat and Barley.

With the bespoke construction of the screw conveyor it is possible to have multiple in feeds and a single out feed

Made for heavy duty the **Robson Screw Conveyor** is robust and reliable.

Robson have the capability to fabricate not only the screw conveyor but Silos, Bunkers, Staging, Structural Steel Work and all forms of Conveyor Equipment



**Geo. Robson & Co. (Conveyors) Ltd**

Coleford Road, Sheffield, S9 5PA

Tel. +44 (0)114 2444221

Fax. +44 (0)114 2433066

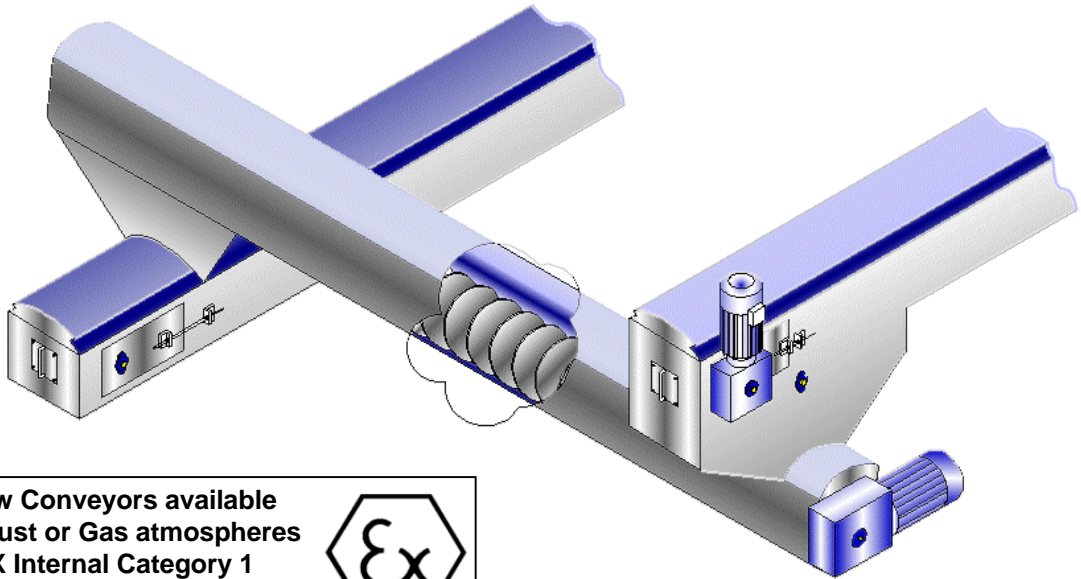
Info@robson.co.uk

www.robson.co.uk

Registered in England No. 397606



# Screw Conveyor Specification



**Screw Conveyors available for Dust or Gas atmospheres ATEX Internal Category 1 External Category 2 or 3.**



Item	Specification
Diameter	Maximum 1500mm Dia
Length	Maximum 12.5m
Incline	Maximum 20°
Feed Rate	500 TPH
Drive	Shaft Mounted Helical Bevel Geared Motor Unit
Bearings	Pedestal Bearings
Shaft & Spiral Material Options	Mild Steel Stainless Steel Mild Steel Clad with Stainless Steel Epoxy Coated
Case Material Options	Mild Steel Stainless Steel
Case Finish & Coatings	Stainless Steel - Natural Mild Steel – Coated to suit customer requirement
Blade Options	Any Combination of LH / RH Pitched and sized to suit requirement
In Built Sensors	Speed Switch
Optional Sensors	Blockage Sensor
Explosion Protection	Suppression Units
	Explosion Vent Panels



**Geo. Robson & Co. (Conveyors) Ltd**

Coleford Road, Sheffield, S9 5PA

Tel. +44 (0)114 2444221

Fax. +44 (0)114 2433066

Info@robson.co.uk

www.robson.co.uk

Registered in England No. 397606

