

Metso Conveyor Solutions

Handbook

Launch Edition





Conveyor Solutions

Accessories
Belts
Components



Contents

Conveyor Solutions

■ How to use this handbook	6
■ The vital role of conveyor systems	8
■ Conveyor Solutions you can count on	9
■ Common Conveyor challenges	11
■ Health, safety and environment	113

Accessories

■ The right material for the job	17
■ Cleaners - Primary and secondary Light, medium or heavy?	19 20
■ Selection Guide - Primary cleaners	21
■ Selection Guide - Secondary cleaners	43
■ Product information	
Belt Cleaning Systems	16
Belt Guiding Systems	66
Loading Systems	72
Sealing Systems	90
Pulley Lagging Systems	100
HiSafe Systems	116
Adhesives	122

Belts

■ General information	128
Textile Belts	131
Flexopipe	133
Steel Cord Belts	135

Components

■ General information	138
Idlers	141
Pulleys	145

Questionnaires

■ Accessories	147
■ Belts	153
■ Components	156

Reference list

■ Installation manuals	157
------------------------	-----

It's in **your** hands

Welcome to the 2016 edition of the Metso Conveyor Solutions handbook. Right now, you're holding a whole new world of conveyor systems in your hands. The information contained in this handbook has the potential to transform your operations – to increase the safety, productivity and ultimately the profitability of your business. Ready to go?



How to use this handbook

Whether you're looking for a complete conveyor solution, or just a replacement belt cleaner, we're confident you'll find it here. To save you time, we've structured the product information as clearly and simply as possible. There are three chapters: accessories, belts and components.

Supporting information is placed next to the relevant product section. For example, the accessories chapter contains a list of 'Common conveyor challenges' and how to deal with them. Here, we share our knowhow and experience to help you avoid some of the common pitfalls of conveying. Look out for these insert pages, as they may enrich your understanding of the area.

Choose a product

Within each section you'll also find a selection guide – the key to understanding if an accessory, belt or component is just right for your application. Metso representatives are always on hand to answer queries about the products listed here, or to discuss designing a new or upgrading an existing conveyor system.

Availability

To help you avoid situations where costly equipment is standing idle, we ship direct to you from one of our 12 distribution centres around the world. This ensures high availability of parts and accessories – to ensure your production line keeps rolling as it should. Active in 51 countries, Metso always has a representative close by to take care of your needs. Just get in touch!





The **vital role** of conveyor systems

Conveyor Systems are a crucial factor in mining, aggregate and industrial operations, underpinning efficiency and – ultimately – profitability. Just like the circulatory systems in our bodies and the currents in the ocean, they move resources from one point to another.

Downtime costs money

With the rapid throughput of systems both upstream and downstream that depend on conveyors, it's important to choose the right solution. Conveyor transport plays such a central role in production. If it fails the whole system fails – making your business vulnerable to the heavy cost and inconvenience of downtime. Reliability is therefore the top criterion for industrial conveyor solutions.

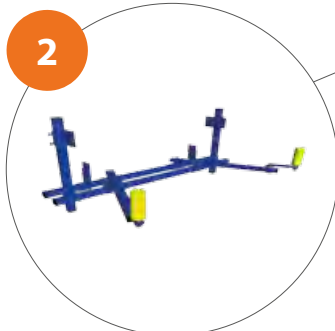
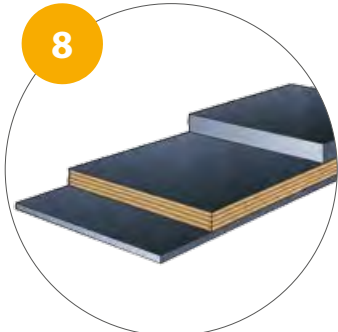
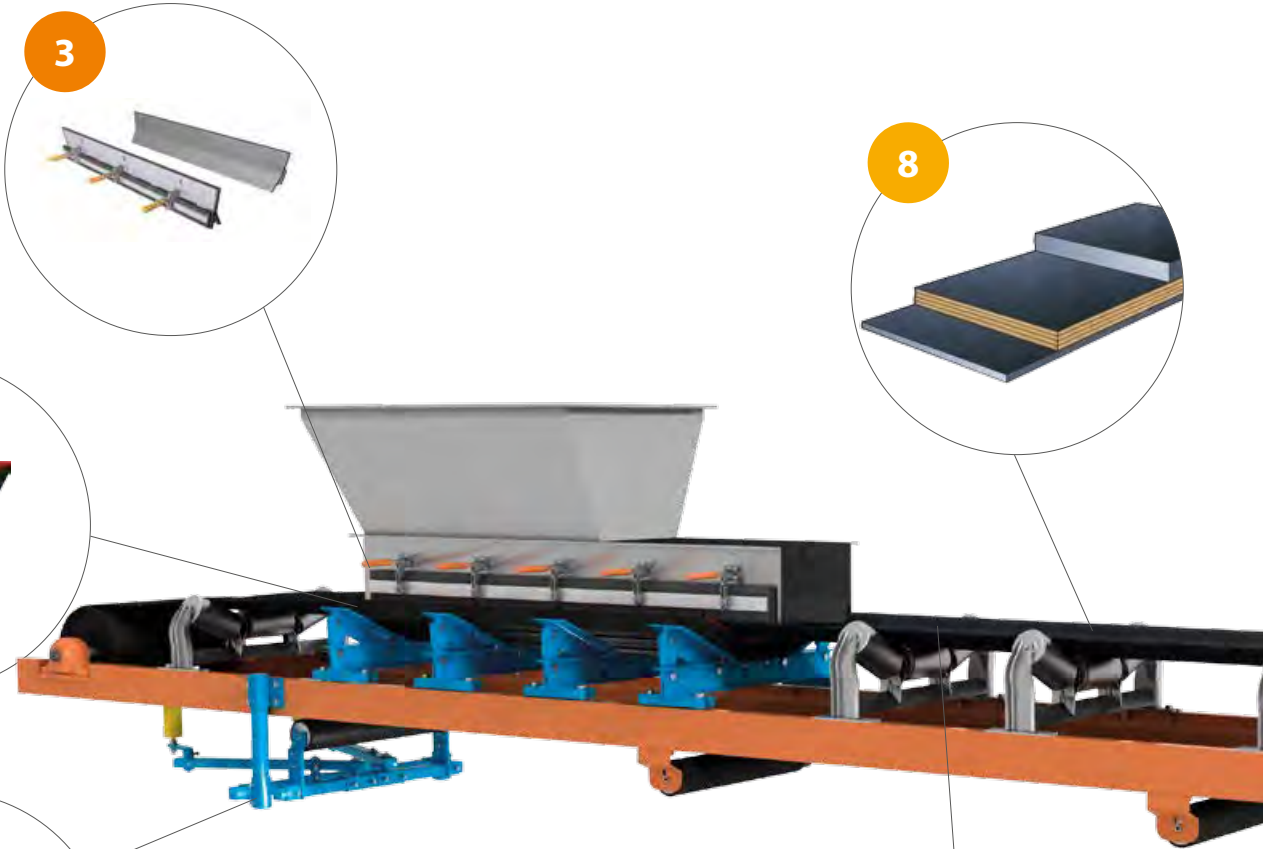
Choose a Metso solution

Our conveyor solutions consist of accessories, the belts themselves, and other components. Metso is a world leader in design and manufacturing in all three categories. We help you get full value from your accessories, belts and components by analysing and eliminating potential failure modes and innovating to extend wear life.

When you choose a Metso solution, you're choosing maximum efficiency and minimum risk – a wise move for any industrial, construction or natural resource company.



Conveyor Solutions you can **count on**



1 Belt Cleaning Systems

2 Belt Guiding Systems

3 Sealing Systems

4 Loading Systems

5 Pulley Lagging Systems

6 HiSafe Systems

7 Other Accessories

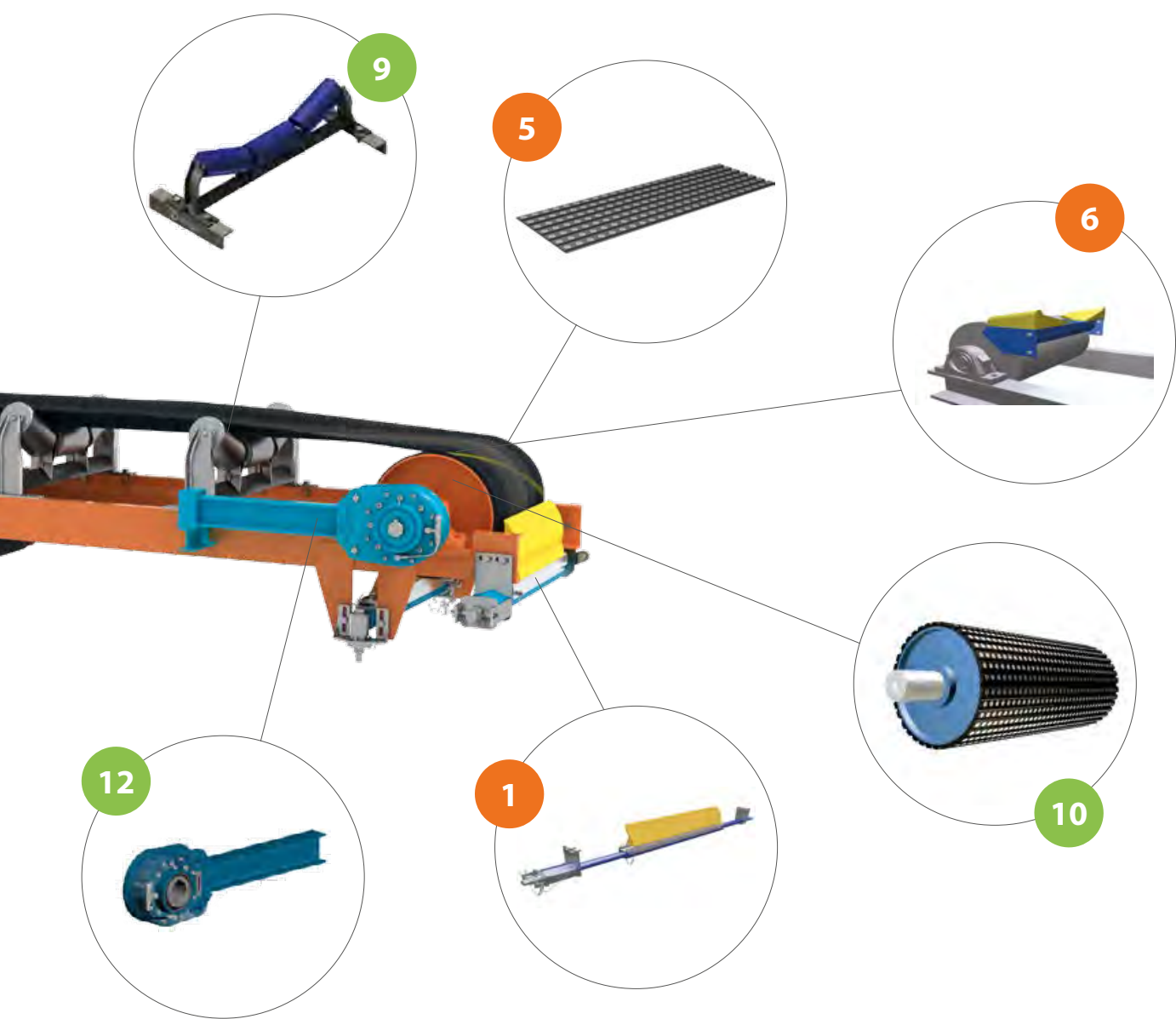
8 Conveyor Belts

9 Idlers

10 Pulleys

11 Hoods

12 Holdbacks



We have
the solution



Common conveyor **challenges**

Conveyors typically operate in really demanding conditions: a dirty environment, intense heat, moisture and very low temperatures. If poorly maintained, a conveyor may experience rapid belt wear and component failure, of components, with consequent stoppages and downtime and with a corresponding negative impact on productivity and profits. Here, we take a close look at some of the most common challenges conveyors face, and propose ways to handle them.

... and how to deal with them



Conveyor carryback occurs when small quantities of material stick to surfaces or get caught in voids and are transported back to their source. Some materials, such as sticky clay and certain mineral ores, are more prone to carryback than others. And while the amount of carryback may seem negligible, over time it adds up to tonnes of material that have to be taken care of a second time, which adds costs.

In response, Metso offers a range of **Belt cleaning systems**, with cleaners that remove potential carryback from the material-facing surface of the belt as it comes round the head pulley.



Mistracking refers to problems such as belt misalignment – i.e. when the belt starts to ride off or cut into the conveyor frame. It can destroy the belt and the conveyor structure or components, and also lead to spillage.

There are many causes of mistracking, including exceeded belt tolerances, off-centre loading, material build-up on rollers and pulleys, misadjustment, the structure of the conveyor system itself, and even side-winds, rain, snow or ice.

To address this problem, Metso offers **Belt guiding systems** that sense and correct mistracking before it does any damage. With such a system in place, maintenance costs can be minimised.



Spillage of material usually occurs during the loading and unloading of a conveyor, but can also occur during transport.

One risk during loading is that the impact of falling materials exceeds what the conveyor can absorb, causing damage to the conveyor belt and components. Another risk is spillage that occurs when the loading zone is not tightly sealed. Waste product and dust can fall on the ground, get into the conveyor components and cause damage. During transport, spillage is often caused by mistracking or leakage. Metso's **Belt guiding, Sealing and Loading systems** address these issues with proven, industry-leading solutions.




Slippage occurs when a belt does not move at the same rate as the pulleys that drive it. This can be extremely serious, as it is accompanied by skidding of the belt against the pulleys, which generates friction and heat, and which can, in the worst case scenario, start a fire. Major causes of slippage can be inadequate friction between the belt and pulley, differences in humidity and temperature, belt and pulley wear, and insufficient belt tension. Metso's **Pulley lagging systems** include composite materials (consisting of both rubber and ceramics) and normal rubber for pulleys. These solve the problem of inadequate friction.



Dust is related to spillage. Where there are leaks there will be dust. This is a serious issue for operators, who might inhale the dust if they are not wearing masks. It is also bad for equipment and vehicles at the site, since dust can enter the mechanical moving parts and cause wear and clogging. All the Metso systems and accessories that address spillage, misalignment and sealing, for example Metso's **Sealing Systems**, have the added benefit of controlling dust.





There is so much more to a good conveyor than the belt and frame.



Conveyor Accessories

Your conveyor is so vital to operations that it is sometimes described as ‘the main artery’. When it isn’t running properly, your mine, quarry or construction site can’t run properly either. It makes sense to employ every possible measure to protect your conveyor and avoid unscheduled conveyor stoppages – whether they are caused by a dusty environment, material spillage or impact damage. On the following pages, you can read about the accessories Metso provides to keep your equipment running efficiently and your business running smoothly.

Systems:

Belt Cleaning Systems	16
Belt Guiding System	66
Loading Systems	72
Sealing Systems	90
Pulley Lagging Systems	100
HiSafe System	116
Adhesives	122

Accessories



Belt Cleaning Systems	16
Belt Guiding Systems	66
Loading Systems	72
Sealing Systems	90
Pulley Lagging Systems	98
HiSafe Systems	116
Adhesives	122



Belt Cleaning Systems

Carryback causes a whole series of problems. It represents a safety and environmental hazard, adds to your clean-up expenses, and generally prevents your conveyor belt from performing at its best. Metso offers a broad range of belt cleaners designed to prevent carryback and thereby alleviate these problems. Each of our cleaners is designed with the quality you've come to expect from Metso. We help you choose products that fit your budget and performance needs best, and make sure they are installed correctly to start delivering benefits right away.

The right material for the job	17
Cleaners - Primary and secondary	19
PRIMARY CLEANERS:	
Selection Guide	21
Trellex ABC-ONE70	23
Trellex ABC-ONE90	25
Trellex ABC70	27
Trellex ABC90	29
Trellex ABC95	31
Trellex ABC-HMS	33
Trellex ABC70-HD	35
Trellex ABC90-HD	37
Trellex ABC90-HD-L	39
Trellex ABC90-HD-XL	41
SECONDARY CLEANERS:	
Selection Guide	43
Trellex ABC-T-HMS RU	45
Trellex ABC-T-HMS PU	47
Trellex ABC-T-HS RU	49
Trellex ABC-T-HMS-HD-L	51
Trellex ABC Belt Brush	53
Trellex ABC-MC-LT	55
Trellex ABC Easy	56
Trellex ABC – Tool SIT with case	57
Primary Tensioners	59
Secondary Tensioners	63



The **right material** for the job

When you're choosing a conveyor solution for products like mineral ores, crushed stone, gravel, wood chips and coal, it must be fit for purpose. That means strong enough to carry heavy loads at high speeds across significant distances. It must also be capable of handling heat, cold, moisture, dust and grit, along with shocks and shear forces.

To be sure our conveyor solutions perform reliably in your working environment, Metso continuously advances the science and engineering behind them. We pay special attention to ensuring the right materials are available and used for each job.

New material innovations

Indeed, Metso is known for its innovative materials – combinations of metal, rubber, plastic, ceramic and other substances. Over half a century ago, we pioneered the development of polymers for use in the mining and construction industry.

Today, thanks to modern 3D CAD software and our deep application expertise, we can develop high-performance combination materials that leverage incredible benefits – benefits that no single material could offer alone.

For example, heavy-duty conveyor belts made with aramid reinforcements; pulley lagging with ceramic inserts for excellent grip and durability; and impact bars that combine high-grade polyethylene with impact-absorbing rubber to reduce friction and lengthen service life.

Special materials for belt cleaners

When it comes to belt cleaners, the material used determines how well the product functions in a given application. Besides our standard belt cleaners, we offer a special range of cleaners that have been engineered for specific purposes. These often marry, for example, a hard metal or polyurethane core with a soft outer material that means your belts can be scraped clean without causing damage.

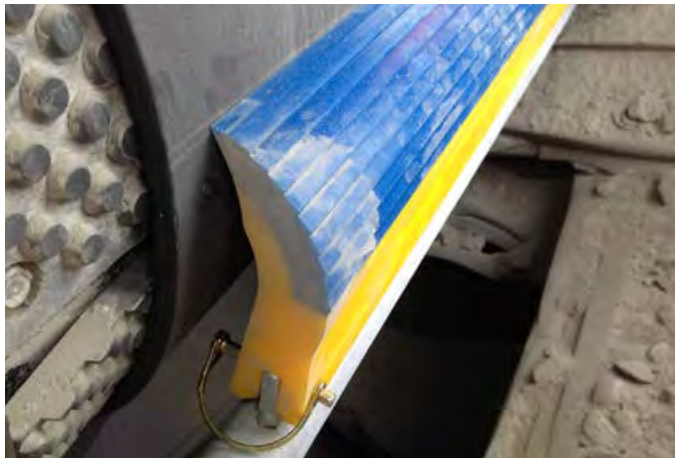
Find out more about choosing the right belt cleaner for the job on the following pages.

The **right cleaner** lasts 5 times longer

To check this hypothesis, we tested two different belt cleaners on a conveyor in a granite quarry. One was the ABC90, which is considered as a standard material in the industry. The other was our patented dual-hardness cleaner, the ABC70.

We ran consecutive tests using first one belt cleaner and then the other on the same conveyor. After 1000 hours, the wear on the ABC90 cleaner was 348 grams, while the wear on the ABC70 was a mere 63 grams.

Demonstrating a five times better performance than the standard material, Metso's premium dual-hardness cleaner makes an important contribution to our customers' operating costs.



Blade type: ABC90
 Blade material: 90 Shore A PU
 Metric tonnes: 138,000
 Hours: 600
 Type of material: Granite
 Material size: 0 - 250
 BW: 1000
 Weight of new blade: 949 g

Blade type: ABC70
 Blade material: 70 Shore A PU/ 65 Shore D PU
 Metric tonnes: 165,000
 Hours: 800
 Type of material: Granite
 Material size: 0 - 250
 BW: 1000
 Weight of new blade: 1000 g

Blade	Weight (g)	Wear (g)
1	742	207
2	742	207
3	738	211
4	737	212
5	740	209
6	743	206
Avg.	740	209

Blade	Weight (g)	Wear (g)
1	952	48
2	952	48
3	954	46
4	944	56
5	950	50
6	949	51
Avg.	950	50

209 g during 600 h = 0,348 g/h
After 1000 h ~ 348 g

50 g during 800 h = 0,0625 g/h
After 1000 h ~ 63 g

Cleaners - Primary and secondary

The purpose of primary cleaners is to remove any coarser material that's stuck to the conveyor belt after it leaves the head pulley, and to keep the belt as clean as possible. By contrast, secondary cleaners are used to remove the fines.

Your choice of cleaner will be determined primarily by the application and all its parameters.



In the majority of cases, the primary belt cleaner is positioned on the head pulley, which is where the material leaves the belt.

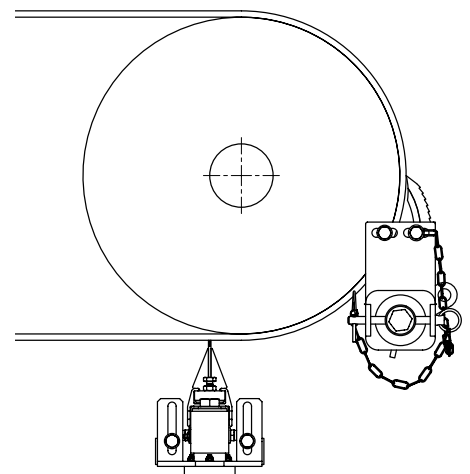
Metso supplies different sizes of conveyor systems depending on the volume of material to be conveyed. Belt speed, belt size and pulley diameter all vary. We do not classify our solutions according to industry segments, but rather according to the application within the segment. That's because we've noticed 70% - 80% of conveyors used in mining are at the smaller end of the scale, even though this is where you also find some of the biggest conveyors. In other words, the application counts more than the industry.

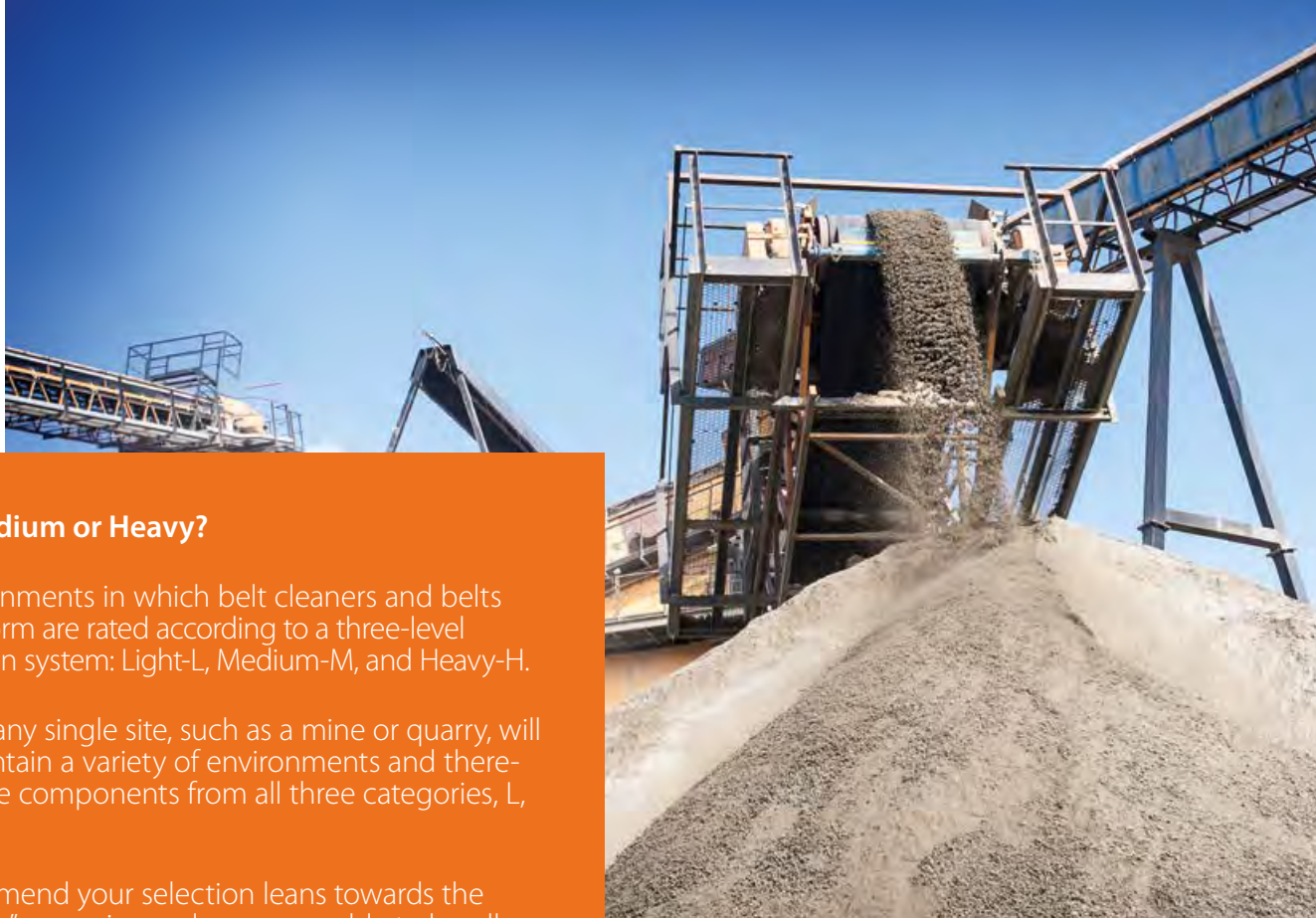
Whether you need the very smallest solution (with cleaners of 1 kilo) or the very biggest (with cleaners of 20 kilos) or something in between the two, Metso has a product for you.

Questionnaire

To ensure we understand our customers' needs as fully as possible, we ask you to complete a questionnaire (see chapter at the end of this handbook). Our offer to you will be based on your responses. Is your material hot or cold, wet or dry. Are you moving wood chips or iron ore? These are the basic facts and figures you need to know in order to select the right product:

1. Belt width - BW
2. Belt speed - BS
3. Head pulley diameter
4. Material characteristics
5. Application temperature
6. Type of belt splice
7. One-way or reversing





Light, Medium or Heavy?

The environments in which belt cleaners and belts must perform are rated according to a three-level classification system: Light-L, Medium-M, and Heavy-H.

Note that any single site, such as a mine or quarry, will usually contain a variety of environments and therefore require components from all three categories, L, M and H.

We recommend your selection leans towards the “worst case” scenario, so cleaners are able to handle the variation between lighter and heavier duty.



Light duty - L

<600 tph

Light-duty applications are often found in construction, where only small volumes are transported. Belts typically vary from 500 mm to 1200 mm and they tend to be in poorer condition, which can influence cleaning efficiency.

Typical applications:

1. Aggregate
2. Crushed stone
3. Sand and gravel
4. Cement
5. Recycling
6. Pulp & paper/wood handling
7. Steel plants/Metal casting
8. Mobile equipment - LT
(Crushing & Screening)



Medium duty- M

>600-4000 tph

Medium applications are typically found in both construction and mining, where conveyors run with higher belt speeds, belts vary from 1000 mm to 1600 mm wide, and materials are abrasive. Fast service and quick

cleaner and belt replacements become more important due to the high value/tonnage of materials.

Typical applications:

1. Bulk transport
(not ship loading/unloading)
2. Cement
3. Crushed stone
4. Power plants
5. Steel plants/Metal casting



Heavy duty- H

H >4000 tph

Heavy-duty applications are often found in mining, where a high tonnage of abrasive material needs to be transported quickly and efficiently. Mines operate 24/7 and downtime is expensive, so rapid service and replacements are essential.

Belts are typically 1400 mm to 3000 mm wide. Belt speeds average 4-6 m/s and chunks can be large, so impacts are forceful. There is a high risk of vibration, temperature changes and extreme moisture. Specific

materials suited to H environments include high-performance engineered polyurethanes and extra-fine tungsten carbides.

Typical applications:

1. Hard rock mining
2. Bulk transportation
(loading/unloading)
3. Surface mining

What about Shore?

Polyurethane is graded according to two scales: Shore A and Shore D. Shore is a measure of how hard or soft a rubber or polyurethane material is.

SHORE A

70 = Super-soft
90 = Standard-hard
95 = Hard

SHORE D

65 Shore D is an even harder PU than the 95 Shore A used in cleaners such as the ABC70 adding necessary rigidity.

Selection guide

- Primary Cleaners

Just follow these three steps

1. Find the **belt width, belt speed and pulley diameter** of the conveyor and select the cleaner size listed in the table on the page opposite.
2. If you end up with more than one option, refine your search by checking the material/application that is being conveyed in the table below.
3. If you are unsure, please do not hesitate to get in touch with your Metso representative.

Required data

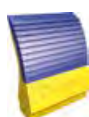



1. Belt width - BW
 2. Belt speed - BS
 3. Pulley diameter
 4. Material characteristics
 5. Application temperature (If above 70 °C or below -30 °C, contact your Metso representative)
 6. Type of belt splice (If not vulcanised, contact your Metso representative)
 7. One-way or reversing (If reversing, contact your Metso representative)
 8. Condition of the belt:
 - N = New belt
 - U = Used belt*
 - W = Worn belt*
- * The condition of the belt is crucial for the effectiveness of the cleaner.





Pos.	Belt cleaner	Belt width – BW* (mm)	Belt speed – BS (m/s)	Pulley diameter – (mm)
1	ABC-ONE90	500-2000	< 3,5	300-600
2	ABC-ONE70	500-2000	< 3,5	300-600
3	ABC95	500-2000	< 3,5	350-600
4	ABC90	500-2000	< 3,5	350-600
5	ABC70	500-2000	< 3,5	350-600
6	ABC-HMS	500-2000	< 3,5	300-800
7	ABC90-HD	500-2000	< 4,5	600-1000
8	ABC70-HD	500-2000	< 4,5	600-1000
9	ABC90-HD-L	600-3000	< 6,0	800-1600
10	ABC90-HD-XL	700-3300	< 6,0	1000-2000

* Other widths available upon request

Description	Hardness	Material/Application
PU70 	70 Sh A / 65 Sh D (Patented)	Super-soft hardness for abrasive materials in mining and aggregates. Especially good for wet and sticky applications (e.g. iron ore, granite, clay)
PU90 	90 Sh A	Standard hardness in the industry for mining and aggregate applications. For less abrasive materials (e.g. limestone, lignite, soft ores/stone).
PU95 	95 Sh A	Hard PU mainly for pulp and paper, wood handling and saw mills, and other non-abrasive materials.
HMS 	Extra-fine tungsten carbide HV30-1600	For cutting and abrasive materials like recycled glass, crushed flintstone, etc. Also good for sticky materials.



Trellex ABC-ONE70

This belt cleaner is suitable for use with iron ore, crushed granite, or materials that stick to the belt, such as clay.

The tensioner/mainframe is compatible with our ABC-ONE90, which gives you the flexibility to change cleaners if necessary. ABC-ONE70 is also compatible with a huge installed base of other manufacturers' cleaners and mainframes and, due to dual hardness, offers an even longer lifetime.

Material properties

Designed with a combination of materials to give you an effective, stable cleaner with a long service. The soft edge is made of a special kind of polyurethane that has been engineered specifically for use in belt cleaners. This part is moulded to a harder section, consisting of a more rigid polyurethane, that gives the cleaner its firm structure.

Special features

The cleaner's dual-hardness function (the so-called 'spatula effect') is patented. This combination of softness and strength makes Trellex ABC-ONE70 the world's best cleaner for highly abrasive materials. The softness of the material in contact with the belt allows it to adapt to the surface contours (even if the belt is old and worn), thus minimising wear.

Technical description

Material: Polyurethane

Density: 1.19 g/cm³

Hardness: 70 Shore A/65 Shore D

Temperature in dry air: -30 °C to +70 °C

Tensioner: Steel

Installation

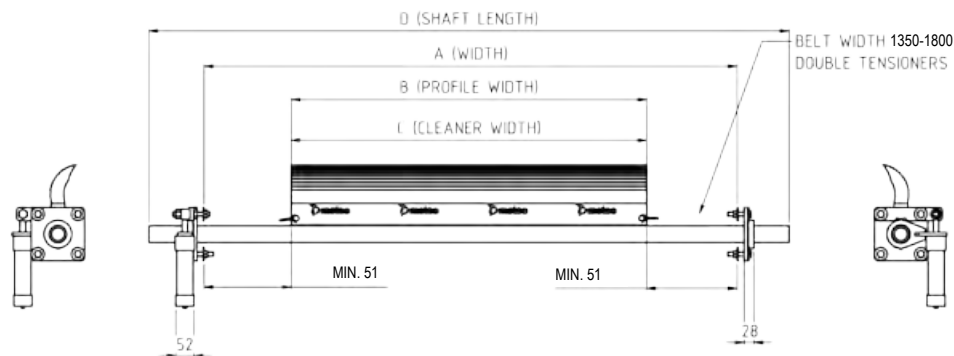
Belt speed: < 3.5 m/s

Head pulley dia: Ø 300 – 600 mm

Tensioner:

BW12"/300-48"/1200 mm Type O Single,

BW54"/1350-70"/1750 mm Type O Double



Part No.	Description	Weight (kg)	Max width A (mm)	Profile width B (mm)	Cleaning width C (mm)	Shaft length D (mm)
MM0410233	Trellex ABC-ONE70 SET BW12"/300mm	16.7	991	354	254	1067
MM0410234	Trellex ABC-ONE70 SET BW18"/450mm	19.3	1143	506	406	1219
MM0410235	Trellex ABC-ONE70 SET BW24"/600 mm	21.8	1295	659	559	1372
MM0410236	Trellex ABC-ONE70 SET BW30"/750mm	24.4	1448	811	711	1524
MM0410237	Trellex ABC-ONE70 SET BW36"/900mm	27	1600	964	864	1676
MM0410238	Trellex ABC-ONE70 SET BW42"/1050mm	29.5	1753	1116	1016	1829
MM0410239	Trellex ABC-ONE70 SET BW48"/1200mm	32	1905	1268	1168	1981
MM0410240	Trellex ABC-ONE70 SET BW54"/1350mm	37.8	2058	1421	1321	2134
MM0410241	Trellex ABC-ONE70 SET BW60"/1500mm	40.6	2210	1573	1473	2286
MM0410242	Trellex ABC-ONE70 SET BW72"/1800mm	46.1	2515	1878	1778	2591
MM0409957	Trellex ABC-ONE70 BLADE 10" / 250mm	1.8				
MM0409955	Trellex ABC-ONE70 BLADE 16" / 400mm	2.9				
MM0409954	Trellex ABC-ONE70 BLADE 22" / 550mm	4				
MM0409950	Trellex ABC-ONE70 BLADE 28" / 700mm	5.1				
MM0409949	Trellex ABC-ONE70 BLADE 34" / 850mm	6.2				
MM0409947	Trellex ABC-ONE70 BLADE 40" / 1000mm	7.3				
MM0409946	Trellex ABC-ONE70 BLADE 46" / 1150mm	8.4				
MM0409945	Trellex ABC-ONE70 BLADE 52" / 1300mm	9.5				
MM0409944	Trellex ABC-ONE70 BLADE 58" / 1450mm	10.6				
MM0409939	Trellex ABC-ONE70 BLADE 70" / 1750mm	12.8				
MM0409941	Trellex ABC-ONE70 BLADE RAW L=1804mm	13				



Trellex ABC-ONE90

The ABC-ONE90 is suitable for many applications in construction (medium-duty, e.g. limestone) and mining (light-duty, e.g. sand and gravel). The tensioner/mainframe is compatible with our ABC-ONE70, and the product is also compatible with a huge installed base of other manufacturers' cleaners and mainframes.

Material properties

This basic standard product is made of two polyurethane materials, only one of which is in contact with the belt. The stronger polyurethane makes the product structurally stable, so it does not need steel inserts.

Special features

The cleaner's serrated edge ensures the tool stays sharp to the end of its service life. At that point, you can dispose of the tool safely simply by incineration, without needing to separate any steel.

Technical description

Material: Polyurethane

Colour: Yellow

Density: 1.19 g/cm³

Hardness: 90 Shore A

Temperature in dry air: -30 °C to +70 °C

Tensioner: Steel

Installation

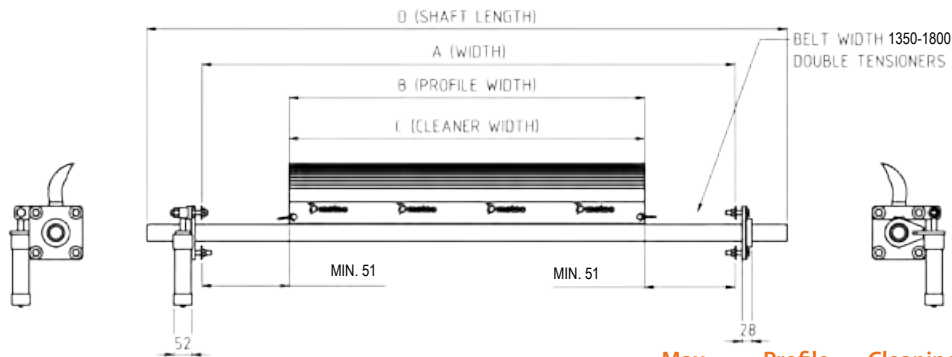
Belt speed: < 3.5 m/s

Head pulley dia: Ø 300-600 mm

Tensioner:

BW12"/300-48"/1200 mm Type O Single,

BW 54"/1350-70"/1750 mm Type O Double



Part No.	Description	Weight (kg)	Max width A (mm)	Profile width B (mm)	Cleaning width C (mm)	Shaft length D (mm)
MM0383822	Trellex ABC-ONE90 SET BW12"/300mm	16.7	991	354	254	1067
MM0383823	Trellex ABC-ONE90 SET BW18"/450mm	19.3	1143	506	406	1219
MM0383824	Trellex ABC-ONE90 SET BW24"/600 mm	21.8	1295	659	559	1372
MM0383825	Trellex ABC-ONE90 SET BW30"/750mm	24.4	1448	811	711	1524
MM0383826	Trellex ABC-ONE90 SET BW36"/900mm	27	1600	964	864	1676
MM0383827	Trellex ABC-ONE90 SET BW42"/1050mm	29.5	1753	1116	1016	1829
MM0383828	Trellex ABC-ONE90 SET BW48"/1200mm	32	1905	1268	1168	1981
MM0383829	Trellex ABC-ONE90 SET BW54"/1350mm	37.8	2058	1421	1321	2134
MM0383830	Trellex ABC-ONE90 SET BW60"/1500mm	40.6	2210	1573	1473	2286
MM0383831	Trellex ABC-ONE90 SET BW72"/1800mm	46.1	2515	1878	1778	2591
MM0382006	Trellex ABC-ONE90 BLADE 10" / 250mm	1.8				
MM0382007	Trellex ABC-ONE90 BLADE 16" / 400mm	2.9				
MM0382008	Trellex ABC-ONE90 BLADE 22" / 550mm	4				
MM0382010	Trellex ABC-ONE90 BLADE 28" / 700mm	5.1				
MM0382011	Trellex ABC-ONE90 BLADE 34" / 850mm	6.2				
MM0382012	Trellex ABC-ONE90 BLADE 40" / 1000mm	7.3				
MM0382013	Trellex ABC-ONE90 BLADE 46" / 1150mm	8.4				
MM0382015	Trellex ABC-ONE90 BLADE 52" / 1300mm	9.5				
MM0382016	Trellex ABC-ONE90 BLADE 58" / 1450mm	10.6				
MM0382019	Trellex ABC-ONE90 BLADE 70" / 1750mm	12.8				
MM0378788	Trellex ABC-ONE90 BLADE RAW L=1804mm	13				



Trellex ABC70

The ABC70 is suitable for applications with materials that are very abrasive (e.g. iron ore) or tend to adhere to the belt (e.g. clay). The combination of softness and strength is the world's best for these kinds of applications in this size category.

Material properties

The ABC70 is made of two different kinds of polyurethane. The soft blue edge is specially engineered for use in belt cleaners, where greater softness extends the service life. The edge is moulded to the much harder yellow part, which provides structural strength and rigidity. The result is a stable, long-lasting and effective cleaner.

Special features

The cleaner's dual-hardness function comprises a desirable combination of softness and stability that delivers an extended service life because the softness of the material helps it conform to the belt surface. The cleaner edge is serrated to ensure the tool stays sharp to the end of its service life. The product is segmented rather than continuous, enabling the segments to move individually and making it easy to join them together. The tensioner and mainframe are compatible with our ABC90 and ABC95, so you always have an option to test other polyurethane materials if necessary (e.g. a 90 shore material would be sufficient during a dry period).

Technical description

Material: Polyurethane

Colour: Blue/Yellow

Density: 1.19 g/cm³

Hardness: 70 Shore A/65 Shore D

Temperature in dry air: -30 °C to +70 °C

Tensioner/cassette: Steel/aluminium

Installation

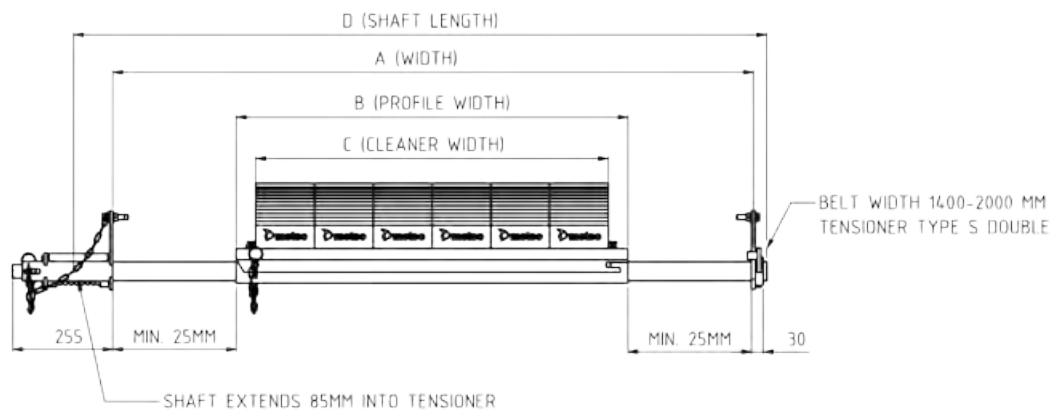
Belt speed: < 3.5 m/s

Head pulley dia: Ø 350-600 m

Tensioner:

BW500(24")-1200(48") Type S Single,

BW(54")-2000 (84")Type S Double



Part No.	Description	No. of blades	Weight (kg)	Max width A (mm)	Al profile width B (mm)	Cleaning width C (mm)	Shaft length D (mm)
43242417	TRELLEX ABC70 BLADE (150 mm)		1.2				
43370500	TRELLEX ABC70 SET BW500 (24")	3	23	1035	550	450	1150
43370650	TRELLEX ABC70 SET BW650 (30")	4	25	1185	700	600	1300
43370800	TRELLEX ABC70 SET BW800 (36")	5	28	1335	850	750	1450
43371000	TRELLEX ABC70 SET BW1000 (42")	6	32	1685	1000	900	1800
43371200	TRELLEX ABC70 SET BW1200 (48")	7	38	1835	1150	1050	2450
43375400	TRELLEX ABC70 SET BW(54")	8	49	2335	1450	1200	2450
43371400	TRELLEX ABC70 SET BW1400 (60")	9	50	2335	1450	1350	2450
43371600	TRELLEX ABC70 SET BW1600 (66")	10	53	2485	1600	1500	2600
43371800	TRELLEX ABC70 SET BW1800 (72")	11	57	2685	1800	1650	2800
43372000	TRELLEX ABC70 SET BW2000 (84")	13	62	2885	2000	1950	3000



Trellex ABC90

The ABC90 is a basic product suitable for the most common light- and medium-duty applications for materials such as soft rock and low-abrasive ores (e.g. bauxite and copper) in mining and aggregates.

Material properties

The ABC90 uses engineered polyurethane for effective scraping and a long service life. In real-life tests, products made of 90 Shore Trellex polyurethane last up to 30% longer than competing products.

Special features

The cleaner edge is serrated to ensure the tool stays sharp to the end of its service life. The product is segmented rather than continuous, enabling the segments to move individually and making it easy to join them together. The tensioner and mainframe are compatible with our ABC70 and ABC95, so you always have an option to test other polyurethane materials if necessary.

Technical description

Material: Polyurethane

Colour: Yellow

Density: 1.19 g/cm³

Hardness: 90 Shore A

Temperature in dry air: -30 °C to +70 °C

Tensioner/cassette: Steel/aluminium

Installation

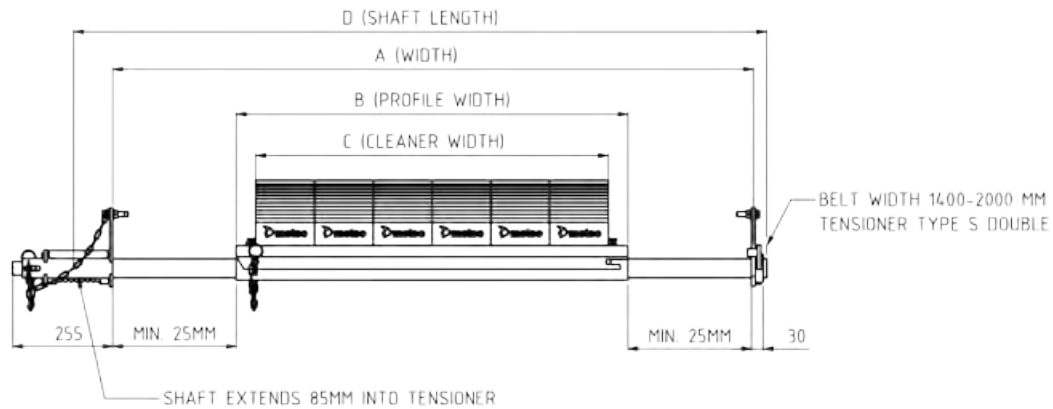
Belt speed: < 3.5 m/s

Head pulley dia: Ø 350 – 600 mm

Tensioner:

BW500(24")-1200(48") Type S Single,

BW(54")-2000 (84")Type S Double



Part No.	Description	No. of blades	Weight (kg)	Max width A (mm)	Al profile width B (mm)	Cleaning width C (mm)	Shaft length D (mm)
43242415	TRELLEX ABC90 BLADE (150 mm)		1.2				
43300500	TRELLEX ABC90 SET BW500 (24")	3	23	1035	550	450	1150
43300650	TRELLEX ABC90 SET BW650 (30")	4	25	1185	700	600	1300
43300800	TRELLEX ABC90 SET BW800 (36")	5	28	1335	850	750	1450
43301000	TRELLEX ABC90 SET BW1000 (42")	6	32	1685	1000	900	1800
43301200	TRELLEX ABC90 SET BW1200 (48")	7	38	1835	1150	1050	1950
43305400	TRELLEX ABC90 SET BW(54")	8	49	2335	1450	1200	2450
43301400	TRELLEX ABC90 SET BW1400 (60")	9	50	2335	1450	1350	2450
43301600	TRELLEX ABC90 SET BW1600 (66")	10	53	2485	1600	1500	2600
43301800	TRELLEX ABC90 SET BW1800 (72")	11	57	2685	1800	1650	2800
43302000	TRELLEX ABC90 SET BW2000 (84")	13	62	2885	2000	1950	3000



Trellex ABC95

Designed specifically for handling light materials such as pulp, paper, wood, etc.

Material properties

This cleaner is made of a harder polyurethane material capable of stripping materials such as resin (e.g. from wood) adhering to the belt.

Special features

The ABC95 has a modular design that enables it to be combined in a cassette. The cleaner edge is serrated to ensure the tool stays sharp to the end of its service life. The tensioner and mainframe are compatible with our ABC70 and ABC90, so you always have an option to test other polyurethane materials if necessary.

Technical description

Material: Polyurethane

Colour: Red

Density: 1.19 g/cm³

Hardness: 95 Shore A

Temperature in dry air: -30 °C to +70 °C

Tensioner/cassette: Steel/aluminium

Installation

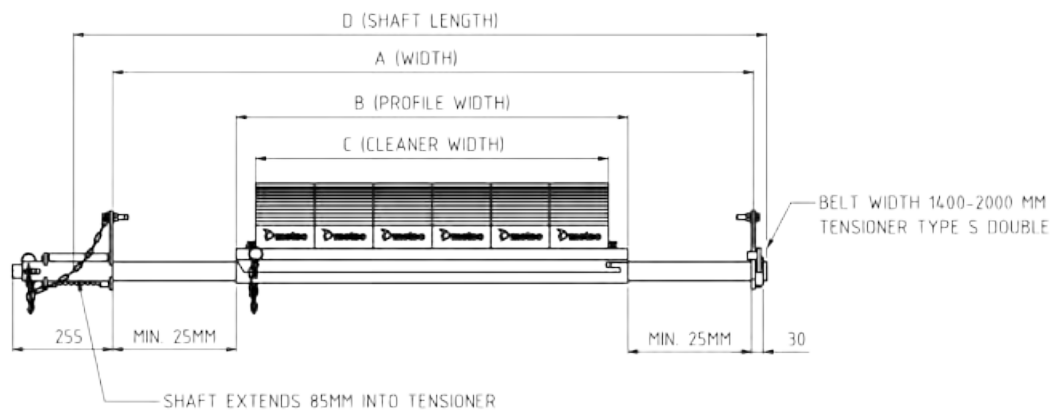
Belt speed: < 3.5 m/s

Head pulley dia: Ø 350 – 600 m

Tensioner:

BW500(24")-1200(48") Type S Single,

BW(54")-2000 (84")Type S Double



Part No.	Description	No. of blades	Weight (kg)	Max width A (mm)	Al profile width B (mm)	Cleaning width C (mm)	Shaft length D (mm)
43242416	TRELLEX ABC95 BLADE (150 mm)		1.2				
43360500	TRELLEX ABC95 SET BW500 (24")	3	23	1035	550	450	1150
43360650	TRELLEX ABC95 SET BW650 (30")	4	25	1185	700	600	1300
43360800	TRELLEX ABC95 SET BW800 (36")	5	28	1335	850	750	1450
43361000	TRELLEX ABC95 SET BW1000 (42")	6	32	1685	1000	900	1800
43361200	TRELLEX ABC95 SET BW1200 (48")	7	38	1835	1150	1050	1950
43365400	TRELLEX ABC95 SET BW(54")	8	49	2335	1450	1200	2450
43361400	TRELLEX ABC95 SET BW1400 (60")	9	50	2335	1450	1350	2450
43361600	TRELLEX ABC95 SET BW1600 (66")	10	53	2485	1600	1500	2600
43361800	TRELLEX ABC95 SET BW1800 (72")	11	57	2685	1800	1650	2800
43362000	TRELLEX ABC95 SET BW2000 (84")	13	62	2885	2000	1950	3000



Trellex ABC-HMS

The ABC-HMS is a premium product designed for the most aggressive applications where there is a risk of materials such as crushed flint or recycled glass cutting the polyurethane.

Material properties

The tip is made of purpose-engineered extra-fine tungsten carbide instead of polyurethane. This material gives you an excellent combination of strength and toughness. A special additive enhances its resistance to corrosion.

Special features

Tungsten is one of the ultimate wear materials. Our purpose-engineered extra-fine carbide grade cannot be cut, and delivers an extended service life.

Technical description

Material: Tungsten carbide/Polyurethane

Colour: Red

Density: 1.19 g/cm³

Hardness: 95 Shore A/HV30-1600

Temperature in dry air: -30 °C to +70 °C

Tensioner/cassette: Steel/aluminium

Installation

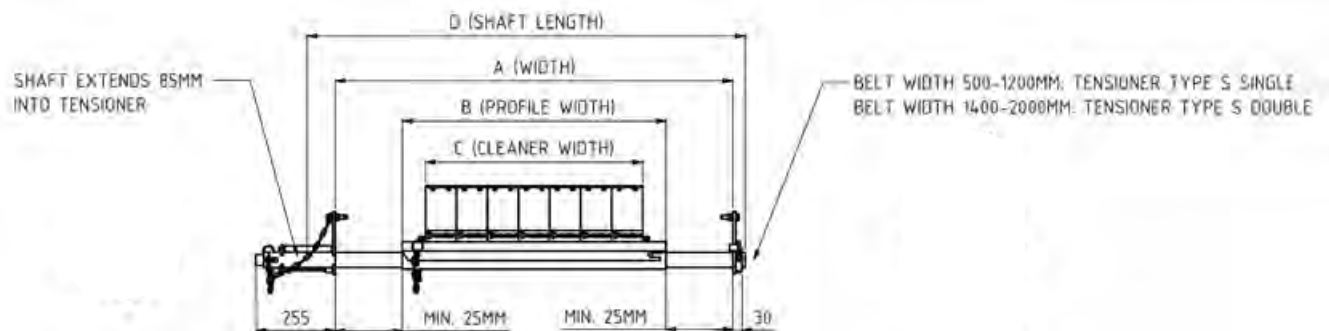
Belt speed: < 3.5 m/s

Head pulley dia: Ø 300 – 800 m

Tensioner:

BW500(24")-1200(48") Type S Single,

BW(54")-2000 (84")Type S Double



Part No.	Description	No. of blades	Weight (kg)	Max width A (mm)	Al profile width B (mm)	Cleaning width C (mm)	Shaft length D (mm)
43242428	TRELLEX ABC-HMS BLADE (100 mm)		1				
43320500	TRELLEX ABC-HMS SET BW500	4	23	1035	550	400	1150
43320650	TRELLEX ABC-HMS SET BW650	6	26	1185	700	600	1300
4332800	TRELLEX ABC-HMS SET BW800	7	29	1335	850	700	1450
43321000	TRELLEX ABC-HMS SET BW1000	9	34	1685	1000	900	1800
43321200	TRELLEX ABC-HMS SET BW1200	11	40	1835	1150	1100	1950
43321400	TRELLEX ABC-HMS SET BW1400	13	52	2335	1450	1300	2450
43321600	TRELLEX ABC-HMS SET BW1600	15	56	2485	1600	1500	2600
43321800	TRELLEX ABC-HMS SET BW1800	17	60	2685	1800	1700	2800
43322000	TRELLEX ABC-HMS SET BW2000	18	64	2885	2000	1800	3000



Trellex ABC70-HD

The ABC70-HD is suitable for use with materials such as granite or iron ore in the mining and aggregates industry. It is also suitable for use where the pulley diameter exceeds 600 mm.

Material properties

This product is larger than a normal ABC70 cleaner. The HD designation indicates that it has an extended service life due to its volume, which in turn gives you a higher percentage of wear material.

Special features

The patented dual-hardness function comprises a desirable combination of softness and stability that delivers an extended service life because the softness of the material helps it conform to the belt surface. The cleaner edge is serrated to ensure the tool stays sharp to the end of its service life. The product is segmented rather than continuous, enabling the segments to move individually and be easily joined together.

Technical description

Material: Polyurethane

Colour: Blue/Yellow

Density: 1.19 g/cm³

Hardness: 70 Shore A/65 Shore D

Temperature in dry air: -30 °C to +70 °C

Tensioner/cassette: Steel/aluminium

Installation

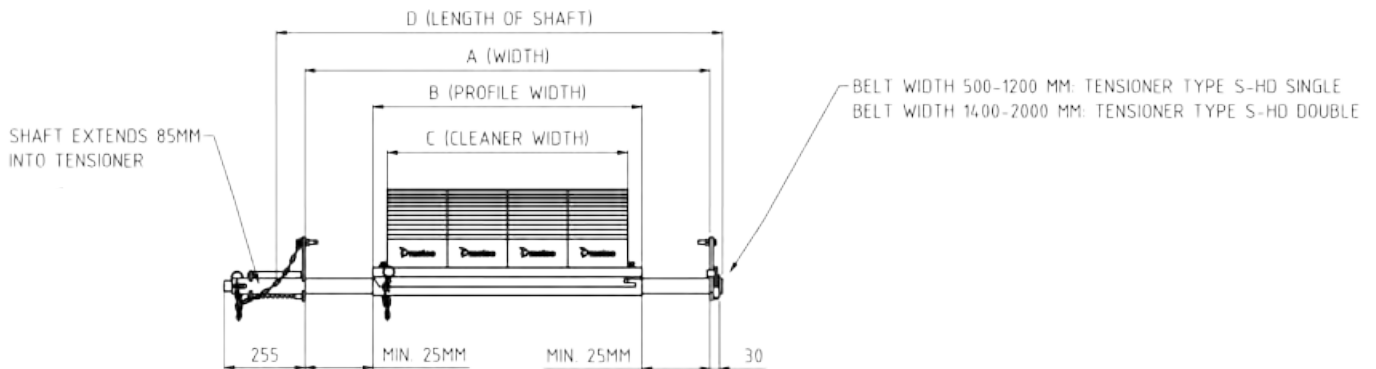
Belt speed: < 4.5 m/s

Head pulley dia: Ø 600 – 1000 m

Tensioner:

BW500 – 1200 mm Type S-HD Single,

BW1400 – 2000 mm Type S-HD Double



Part No.	Description	No. of blades	Weight (kg)	Max width A (mm)	Al profile width B (mm)	Cleaning width C (mm)	Shaft length D (mm)
43242425	TRELLEX ABC70-HD BLADE (190 mm)		2.7				
43380500	TRELLEX ABC70-HD SET BW500 (24")	2	23	1035	550	380	1150
43380650	TRELLEX ABC70-HD SET BW650 (30")	3	28	1185	700	570	1300
43380800	TRELLEX ABC70-HD SET BW800 (36")	4	32	1335	850	760	1450
43381000	TRELLEX ABC70-HD SET BW1000 (42")	5	38	1685	1000	950	1800
43381200	TRELLEX ABC70-HD SET BW1200 (48")	6	49	2335	1450	1140	2450
43381400	TRELLEX ABC70-HD SET BW1400 (54"/60")	7	57	2280	1450	1330	2450
43381600	TRELLEX ABC70-HD SET BW1600 (66")	8	61	2430	1600	1520	2600
43381800	TRELLEX ABC70-HD SET BW1800 (72")	9	66	2630	1800	1710	2800
43382000	TRELLEX ABC70-HD SET BW2000 (84")	10	71	2830	2000	1900	3000



Trellex ABC90-HD

The ABC90-HD is suitable for use with materials such as granite and iron ore in mining and aggregates. It is also suitable for use where the pulley diameter exceeds 600 mm.

Material properties

The ABC90-HD uses engineered polyurethane for effective scraping and a long service life. Real-life tests show that products made of 90 Shore Trellex polyurethane last up to 30% longer than competing products.

Special features

The cleaner edge is serrated to ensure the tool stays sharp to the end of its service life.

Technical description

Material: Polyurethane

Colour: Yellow

Density: 1.19 g/cm³

Hardness: 90 Shore A

Temperature in dry air: -30 °C to +70 °C

Tensioner/cassette: Steel/aluminium

Installation

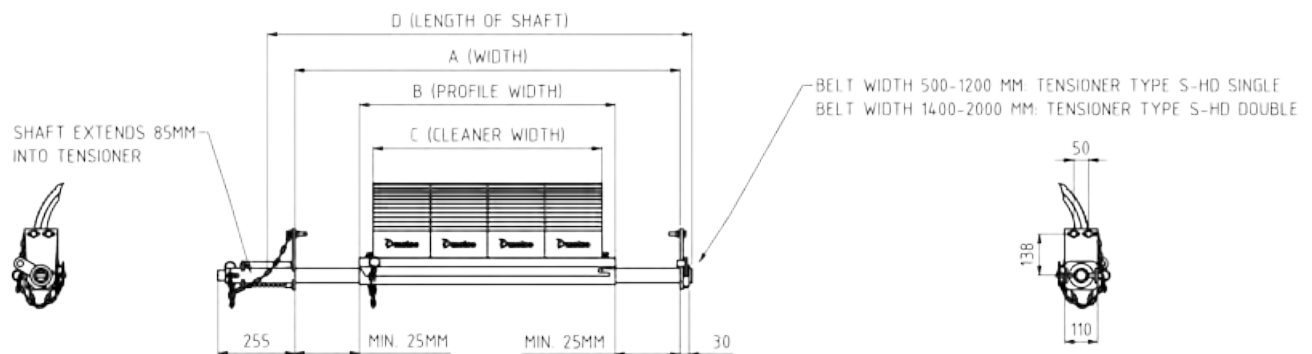
Belt speed: < 4.5 m/s

Head pulley dia: Ø 600 – 1000 m

Tensioner:

BW500 – 1200 mm Type S-HD Single,

BW1400 – 2000 mm Type S-HD Double



Part No.	Description	No. of blades	Weight (kg)	Max width A (mm)	Al profile width B (mm)	Cleaning width C (mm)	Shaft length D (mm)
43242423	TRELLEX ABC90-HD BLADE (190 mm)		2.6				
43340500	TRELLEX ABC90-HD SET BW500	2	23	1035	550	380	1150
43340650	TRELLEX ABC90-HD SET BW650	3	28	1185	700	570	1300
43340800	TRELLEX ABC90-HD SET BW800	4	32	1335	850	760	1450
43341000	TRELLEX ABC90-HD SET BW1000	5	38	1685	1000	950	1800
43341200	TRELLEX ABC90-HD SET BW1200	6	49	2335	1450	1140	2450
43341400	TRELLEX ABC90-HD SET BW1400	7	57	2280	1450	1330	2450
43341600	TRELLEX ABC90-HD SET BW1600	8	61	2430	1600	1520	2600
43341800	TRELLEX ABC90-HD SET BW1800	9	66	2630	1800	1710	2800
43342000	TRELLEX ABC90-HD SET BW2000	10	71	2830	2000	1900	3000



Trellex ABC90-HD-L

The ABC90-HD-L is suitable for heavy duty in the most demanding applications such as hard rock mining. It can deal with a wide range of materials on faster and wider belts, and is suitable for pulley diameters of 800 - 1600 mm.

Material properties

Weighing 8 kg, this cleaner has an obvious size advantage over most competing products. It offers a long service life handling large volumes of demanding materials.

Special features

The ABC90-HD-L has a mainshaft, but does not require an aluminium cassette. It uses an L tensioner instead of an S tensioner, so you can locate the tensioner either nearby or at a distance and on either side of the pulley, giving you enormous layout flexibility.

The product is available with an anti-rollback (AR) accessory. This prevents the cleaner from moving backwards (i.e. away from the belt) in conditions such as high belt speeds and wet applications.

Technical description

Material: Polyurethane

Colour: Yellow

Density: 1.19 g/cm³

Hardness: 90 Shore A

Temperature in dry air: -30 °C to +70 °C

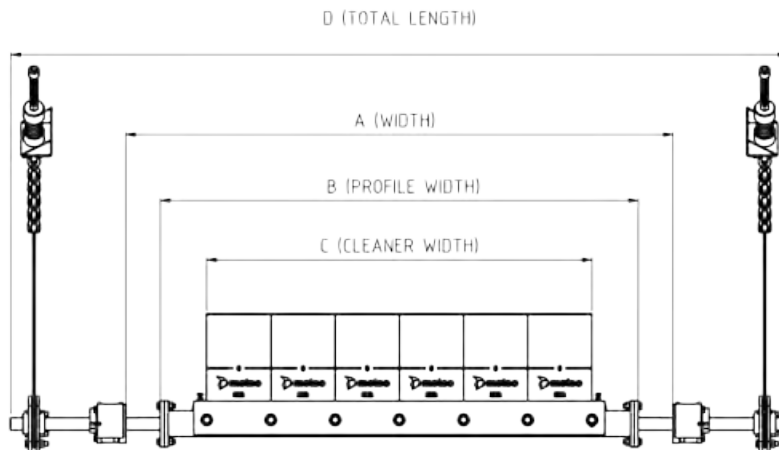
Tensioner/cassette: Steel/aluminium

Installation

Belt speed: < 6 m/s

Head pulley dia: Ø 800 – 1600 mm

Tensioner: BW600 – 3000 mm Type L Double



Part No.	Description	No. of blades	Weight (kg)	Max width A (mm)	Min width A (mm)	Mainframe width B (mm)	Cleaning width C (mm)	Total length D (mm)
43242418	TRELLEX ABC90-HD-L BLADE (250 mm)		7.8					
MM0330879	TRELLEX ABC90-HD-L SET BW600-700	2	140	1580	1310	860	500	2030
MM0330880	TRELLEX ABC90-HD-L SET BW800-1000	3	160	1830	1560	1110	750	2280
MM0330881	TRELLEX ABC90-HD-L SET BW1100-1200	4	182	2080	1810	1360	1000	2530
MM0330882	TRELLEX ABC90-HD-L SET BW1300-1500	5	203	2330	2060	1610	1250	2780
MM0330883	TRELLEX ABC90-HD-L SET BW1600-1700	6	224	2580	2310	1860	1500	3030
MM0330884	TRELLEX ABC90-HD-L SET BW1800-2000	7	244	2830	2560	2110	1750	3280
MM0330885	TRELLEX ABC90-HD-L SET BW2100-2200	8	266	3080	2810	2360	2000	3530
MM0330886	TRELLEX ABC90-HD-L SET BW2300-2500	9	287	3330	3060	2610	2250	3780
MM0330887	TRELLEX ABC90-HD-L SET BW2600-2700	10	308	3580	3310	2860	2500	4030
MM0330888	TRELLEX ABC90-HD-L SET BW2800-3000	11	328	3830	3560	3110	2750	4280



Trellex ABC90-HD-XL

The ABC90-HD-XL is designed for heavy duty in the most extreme applications, such as hard rock mining. Suitable for pulley diameters 1000 - 2000 mm, it can handle both wide and high-speed belts.

Material properties

Constructed from 90 Shore polyurethane, the ABC90-HD-XL is a herculean scraper. It can withstand temperature ranges from -30 °C to +70 °C as well as the extremely tough wear that comes with high belt speeds and oversized pulleys.

Special features

Weighing in at 20 kg, this scraper has an obvious size advantage over other products. It also comes with an optional anti-rollback device, which prevents the scraper from losing contact with the belt at high speeds or in wet applications. And since you can place the tensioner anywhere, the ABC90-HD-XL also offers an unusual degree of installation flexibility.

Technical description

Material: Polyurethane

Colour: Yellow

Density: 1.19 g/cm³

Hardness: 90 Shore A

Temperature in dry air: -30 °C to +70 °C

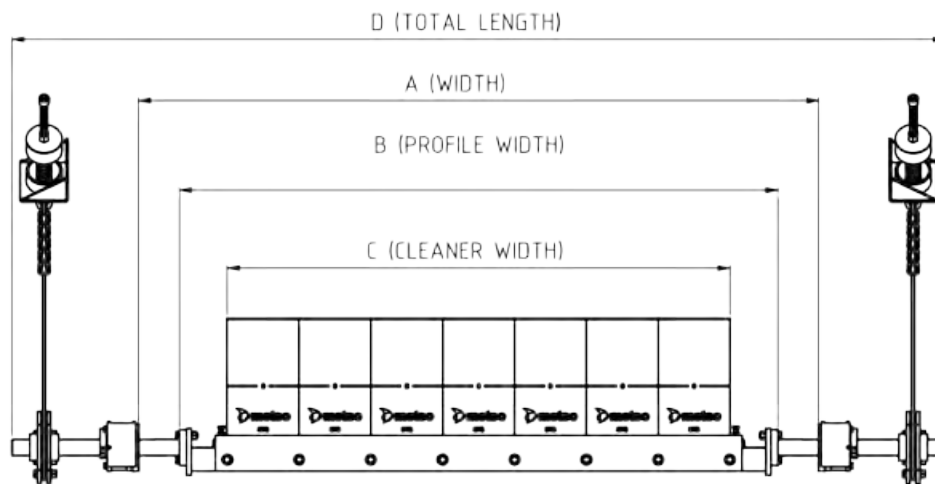
Tensioner/cassette: Steel/aluminium

Installation

Belt speed: < 6 m/s

Head pulley dia: Ø 1000 – 2000 mm

Tensioner: BW700 – 3300 mm Type LX Double



Part No.	Description	No. of blades	Weight (kg)	Max width A (mm)	Min width A (mm)	Mainframe width B (mm)	Cleaning width C (mm)	Total length D (mm)
43242435	TRELLEX ABC90-HD-XL BLADE (300 mm)		19.3					
MM0330889	TRELLEX ABC90-HD-XL SET BW700-900	2	277	1830	1570	1000	600	2400
MM0330890	TRELLEX ABC90-HD-XL SET BW1000-1200	3	317	2130	1870	1300	900	2700
MM0330891	TRELLEX ABC90-HD-XL SET BW1300-1500	4	357	2430	2170	1600	1200	3000
MM0330892	TRELLEX ABC90-HD-XL SET BW1600-1800	5	397	2730	2470	1900	1500	3300
MM0330893	TRELLEX ABC90-HD-XL SET BW1900-2100	6	438	3030	2770	2200	1800	3600
MM0330894	TRELLEX ABC90-HD-XL SET BW2200-2400	7	475	3330	3070	2500	2100	3900
MM0330895	TRELLEX ABC90-HD-XL SET BW2500-2700	8	515	3630	3370	2800	2400	4200
MM0330896	TRELLEX ABC90-HD-XL SET BW2800-3000	9	555	3930	3670	3100	2700	4500
MM0330897	TRELLEX ABC90-HD-XL SET BW3100-3300	10	596	4230	3970	3400	3000	4800

Selection guide

- Secondary Cleaners



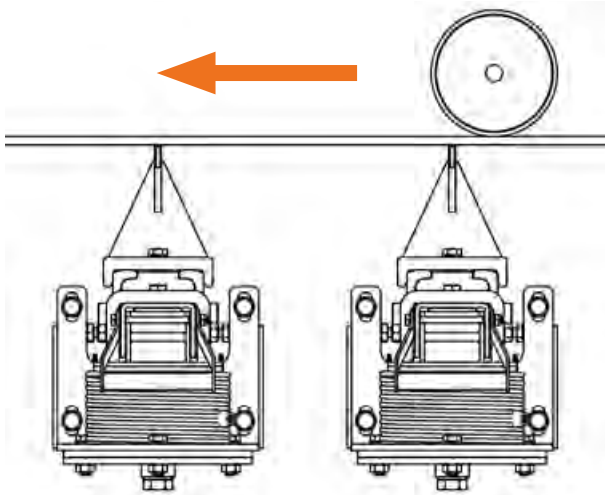
Just follow these three simple steps

1. Find the belt speed and width, and select the cleaner size listed in the table on the page opposite.
2. If you end up with more than one option, refine your search by checking the material/application that is being conveyed in the table below.
3. If you are unsure, please do not hesitate to get in touch with your Metso representative.

Required data

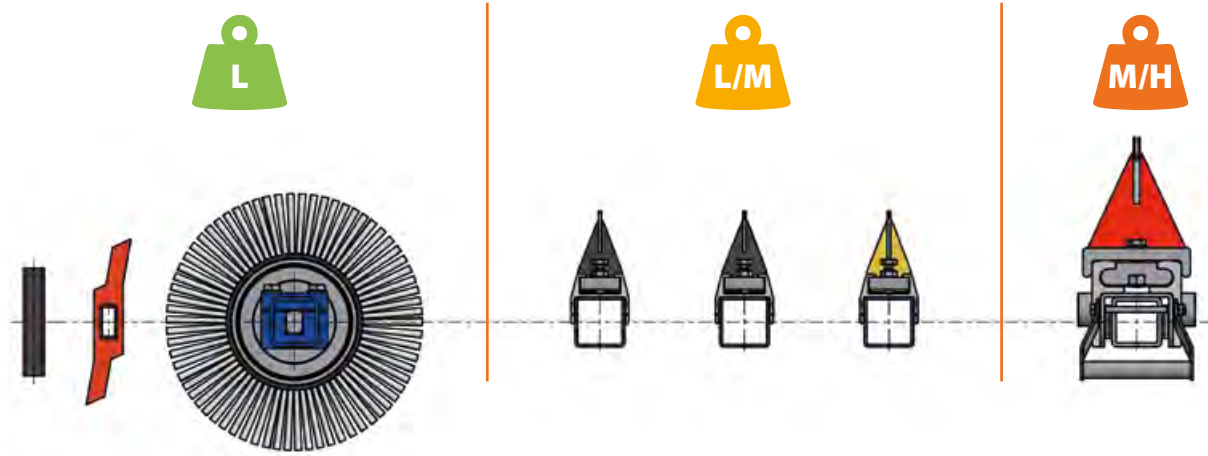
1. Belt width - BW
2. Belt speed - BS
3. Material characteristics
4. Application temperature (If above 70 °C or below -30 °C, contact your Metso representative)
5. Type of belt splice (If not vulcanised, contact your Metso representative)
6. One-way or reversing (If reversing, contact your Metso representative)
7. Condition of the belt:
 - N = New belt
 - U = Used belt*
 - W = Worn belt*

* The condition of the belt is crucial for the effectiveness of the cleaner.



If the cleaner is placed away from the head drum, install a support roller to avoid belt curling.

Many conveyors can be satisfactorily cleaned with a primary and a secondary cleaner, but to achieve higher efficiency some applications need additional secondary cleaners.



Pos. 1 2 3 4 5 6 7

Pos.	Belt cleaner	Belt Width – BW (mm)	Belt Speed – BS (m/s)	Other
1	ABC EASY			Blade
2	ABC MC-LT		<3.5	Blade
3	ABC BRUSH	500-1800	<2.5	Set
4	ABCT-HS RU	500-2000	<3.5	Set
5	ABCT-HMS RU	500-2000	<3.5	Set
6	ABCT-HMS PU	500-2000	<3.5	Set
7	ABCT-HMS HD-L PU	750-3000	<5.0	Set

Description

Hardness

Material/Application

Rubber/PE



60 Sh A

A sandwich construction of polyethylene and rubber, both hardwearing materials. This multipurpose cleaner is suitable for a variety of light-duty applications, can also be used as a V-plough/diagonal plough.

PU95



95 Sh A

The hard polyurethane material gives excellent rigidity and balanced performance. If your mobile crusher has a simple plank-type cleaner, this product provides an economical solution for improving performance.

Nylon/Steel



Our brushes are made of high-quality, hardwearing nylon. They are designed for dry material, but have recently been tested successfully with moist materials. We also offer brushes made with a combination of nylon and steel for use in the glass recycling industry.

Hardened steel (HS)



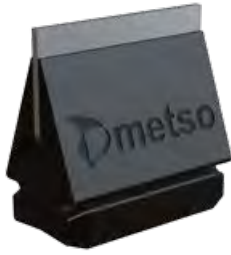
A hardened steel blade makes this cleaner a cost-effective option for handling non-abrasive materials such as pulp and paper, and wood handling.

Extra fine tungsten carbide HV30-1600

HV30-1600



Thanks to a super-fine tungsten carbide blade, this cleaner provides the very best performance when handling abrasive materials in mining and aggregates.



Trellex ABC-T-HS RU

Suitable for less abrasive material applications such as pulp and paper, and wood handling.

Material properties

A hardened steel blade makes this cleaner a cost-effective option for handling non-abrasive materials. The blade is moulded into soft rubber so each cleaner section can move flexibly and work independently from others in the row.

Special features

With a Trellex ABC-T-HS RU, your conveyor belt is safe. The cleaner sits at 90 degrees to the belt surface, which dramatically reduces – indeed, practically eliminates – the risk of damaging the belt. Additionally, if the belt surface is slightly uneven, the soft rubber construction yields naturally to its contours. This prevents damage, either to the belt or to the cleaner itself. The cleaner can be installed both inside and outside the chute – see sketches opposite.

Part No.	Description	No. of blades	Weight (kg)	Max width A (mm)	Min width B (mm)	Al profile width (mm)	Cleaning width C (mm)	Shaft length D (mm)
43242403	TRELLEX ABC-T-HS BLADE RU (100 mm)		0.5				100	
MM0376424	TRELLEX ABC-T-HS RU SET BW500 Z	4	18	1520/1680	620/780	550	400	1500
MM0376425	TRELLEX ABC-T-HS RU SET BW650 Z	6	19	1520/1680	770/930	550	500	1500
MM0376426	TRELLEX ABC-T-HS RU SET BW800 Z	7	20	1520/1680	920/1080	850	700	1500
MM0376427	TRELLEX ABC-T-HS RU SET BW1000 Z	9	24	2020/2180	1070/1230	1000	900	2000
MM0376428	TRELLEX ABC-T-HS RU SET BW1200 Z	11	26	2020/2180	1220/1380	1150	1100	2000
MM0376429	TRELLEX ABC-T-HS RU SET BW1400 Z-HD	13	28	2020/2180	1520/1680	1450	1300	2000
MM0376430	TRELLEX ABC-T-HS RU SET BW1600 Z-HD	15	35	3020/3180	1670/1830	1600	1500	3000
MM0376431	TRELLEX ABC-T-HS RU SET BW1800 Z-HD	17	37	3020/3180	1870/2030	1800	1700	3000
MM0376432	TRELLEX ABC-T-HS RU SET BW2000 Z-HD	18	37	3020/3180	2070/2230	2000	1800	3000

Technical description

Material: NR Rubber with a hardened steel tip

Colour: Black

Density: 1.12 g/cm³

Hardness: 60 Shore A/HV30-1600

Temperature in dry air: -30 °C to +80 °C

Tensioner/cassette: Steel/aluminium

Installation

Belt speed: < 3.5 m/s

Tensioner:

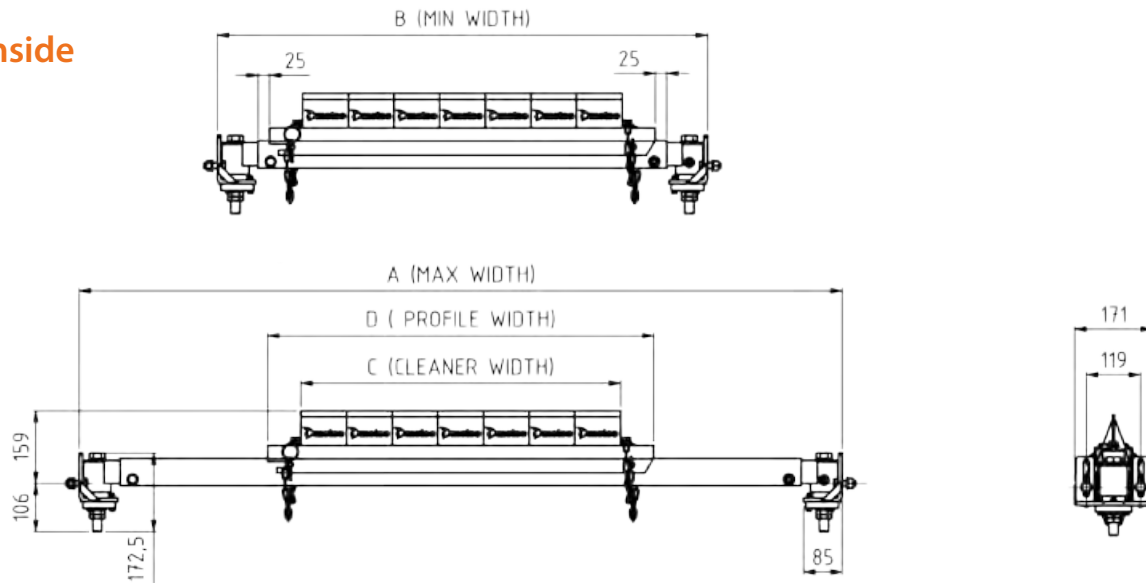
BW500 – 1200 mm Type Z

BW1400 – 2000 mm Type Z-HD

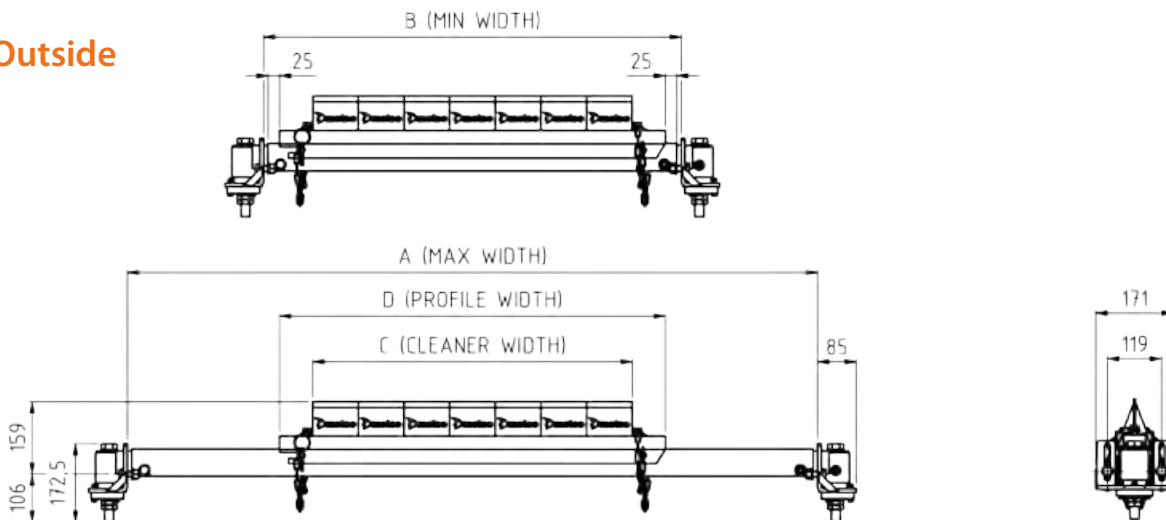


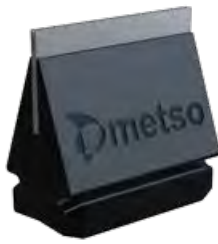
Sketches applicable for ABC-T-HS RU, ABC-T-HMS RU and ABC-T-HMS PU

Inside



Outside





Trellex ABC-T-HMS RU

Suitable for abrasive applications in mining and aggregates.

Material properties

Thanks to a super-fine tungsten carbide blade, this cleaner provides the very best performance when handling abrasive materials. It is completely invulnerable to damage from coarse or sharp material, and therefore offers a very long lifetime. The blade is moulded into soft rubber so each cleaner section can move flexibly and work independently from others in the row.

Special features

With a Trellex ABC-T-HMS RU, your conveyor belt is safe. The cleaner sits at 90 degrees to the belt surface, which dramatically reduces – practically eliminates - the risk of damaging the belt. Additionally, if the belt surface is slightly uneven, the soft rubber construction yields naturally to prevent damage, either to the belt or the cleaner itself. The cleaner can be installed both inside and outside the chute - see sketches on page 46.

Technical description

Material: NR Rubber with a tungsten carbide tip

Colour: Black

Density: 1.12 g/cm³

Hardness: 60 Shore A/HV30-1600

Temperature in dry air: -30 °C to +80 °C

Tensioner/cassette: Steel/aluminium

Installation

Belt speed: < 3.5 m/s

Tensioner:

BW500 – 1200 mm Type Z

BW1400 – 2000 mm Type Z-HD



Part No.	Description	No. of blades	Weight (kg)	Max width A (mm)	Min width A (mm)	Al profile width (mm)	Cleaning width C (mm)	Shaft length D (mm)
43242405	TRELLEX ABC-T-HMS BLADE RU (100 mm)		0.5				100	
MM0376415	TRELLEX ABC-T-HMS RU SET BW500 Z	4	18	1520/1680	620/780	550	400	1500
MM0420007	TRELLEX ABC-T-HMS RU SET BW(24") Z	5	19	1520/1680	620/780	550	500	1500
MM0376416	TRELLEX ABC-T-HMS RU SET BW650 Z	6	19	1520/1680	770/930	700	600	1500
MM0376417	TRELLEX ABC-T-HMS RU SET BW800 (30") Z	7	20	1520/1680	920/1080	850	700	1500
MM0420008	TRELLEX ABC-T-HMS RU SET BW(36") Z	8	21	1520/1680	920/1080	850	800	1500
MM0376418	TRELLEX ABC-T-HMS RU SET BW1000 Z	9	24	2020/2180	1070/1230	1000	900	2000
MM0420010	TRELLEX ABC-T-HMS RU SET BW(42") Z	10	26	2020/2180	1220/1380	1150	1000	2000
MM0376419	TRELLEX ABC-T-HMS RU SET BW1200 Z	11	26	2020/2180	1220/1380	1150	1100	2000
MM0376420	TRELLEX ABC-T-HMS RU SET BW1400 (54") Z-HD	13	28	2020/2180	1520/1680	1450	1300	2000
MM0420011	TRELLEX ABC-T-HMS RU SET BW(60") Z-HD	14	28	2020/2180	1520/1680	1450	1400	2000
MM0376421	TRELLEX ABC-T-HMS RU SET BW1600 (66") Z-HD	15	35	3020/3180	1670/1830	1600	1500	3000
MM0376422	TRELLEX ABC-T-HMS RU SET BW1800 (72") Z-HD	17	37	3020/3180	1870/2030	1800	1700	3000
MM0376423	TRELLEX ABC-T-HMS RU SET BW2000 Z-HD	18	37	3020/3180	2070/2230	2000	1800	3000
MM0420012	TRELLEX ABC-T-HMS RU SET BW(84") Z-HD	19	38	3020/3180	2070/2230	2000	1900	3000



Trellex ABC-T-HMS PU

Suitable for abrasive applications in mining and aggregates.

Material properties

Thanks to a super-fine tungsten carbide blade, this cleaner provides the very best performance when handling abrasive materials. It is completely invulnerable to damage from coarse or sharp material, and therefore offers a very long lifetime.

Special features

The blade is moulded into hard PU, which helps it maintain a precise 90-degree angle to the belt surface. This gives a high degree of efficiency, but please note that it should not be used on a mechanically spliced or heavily worn belt. The cleaner can be installed both inside and outside the chute - see sketches on page 46.

Technical description

Material: Polyurethane with a tungsten carbide tip

Colour: Yellow

Density: 1.19 g/cm³

Hardness: 90 Shore A

Temperature in dry air: -30 °C to +70 °C

Tensioner/cassette: Steel/aluminium

Installation

Belt speed: < 3.5 m/s

Tensioner:

BW500 – 1200 mm Type Z

BW1400 – 2000 mm Type Z-HD



Part No.	Description	No. of blades	Weight (kg)	Max width A (mm)	Min width B (mm)	Al profile width (mm)	Cleaning width C (mm)	Shaft length D (mm)
43242410	TRELLEX ABC-T-HMS BLADE PU (100 mm)		0.5				100	
MM0376406	TRELLEX ABC-T-HMS PU SET BW500 Z	4	18	1520/1680	620/780	550	400	1500
MM0420040	TRELLEX ABC-T-HMS PU SET BW(24") Z	5	19	1520/1680	620/780	550	500	1500
MM0376407	TRELLEX ABC-T-HMS PU SET BW650 Z	6	19	1520/1680	770/930	700	600	1500
MM0376408	TRELLEX ABC-T-HMS PU SET BW800 (30") Z	7	20	1520/1680	920/1080	850	700	1500
MM0420041	TRELLEX ABC-T-HMS PU SET BW(36") Z	8	21	1520/1680	920/1080	850	800	1500
MM0376409	TRELLEX ABC-T-HMS PU SET BW1000 Z	9	24	2020/2180	1070/1230	1000	900	2000
MM0420042	TRELLEX ABC-T-HMS PU SET BW(42") Z	10	26	2020/2180	1220/1380	1150	1000	2000
MM0376410	TRELLEX ABC-T-HMS PU SET BW1200 Z	11	26	2020/2180	1220/1380	1150	1100	2000
MM0376411	TRELLEX ABC-T-HMS PU SET BW1400 (54") Z-HD	13	28	2020/2180	1520/1680	1450	1300	2000
MM0420043	TRELLEX ABC-T-HMS PU SET BW(60") Z-HD	14	28	2020/2180	1520/1680	1450	1400	2000
MM0376412	TRELLEX ABC-T-HMS PU SET BW1600 (66") Z-HD	15	35	3020/3180	1670/1830	1600	1500	3000
MM0376413	TRELLEX ABC-T-HMS PU SET BW1800 (72") Z-HD	17	37	3020/3180	1870/2030	1800	1700	3000
MM0376414	TRELLEX ABC-T-HMS PU SET BW2000 Z-HD	18	37	3020/3180	2070/2230	2000	1800	3000
MM0420044	TRELLEX ABC-T-HMS PU SET BW(84") Z-HD	19	38	3020/3180	2070/2230	2000	1900	3000



Trellex ABC-T-HMS-HD-L

This cleaner is made for use in the toughest mining applications.

Material properties

Made with extra-fine tungsten carbide moulded into polyurethane, this cleaner has the prerequisites to give you the longest lifetime of any in our portfolio.

The generous volume of tungsten carbide used (up to 40% more than competing models) further adds to the product lifetime.

Special features

The cleaner comes in segments, which means you can get the exact width to match your belt, as well as other advantages such as cost-effective single-segment replacements. A stainless steel slidable cassette makes it quick and safe to replace blades, and a highly advanced tensioner ensures reliable performance, even under extreme conditions.

See more on pages covering secondary tensioners.

Technical description

Material: Polyurethane with a tungsten carbide tip

Colour: Red

Density: 1.19 g/cm³

Hardness: 90 Shore A

Temperature in dry air: -30 °C to +70 °C

Tensioner/cassette:

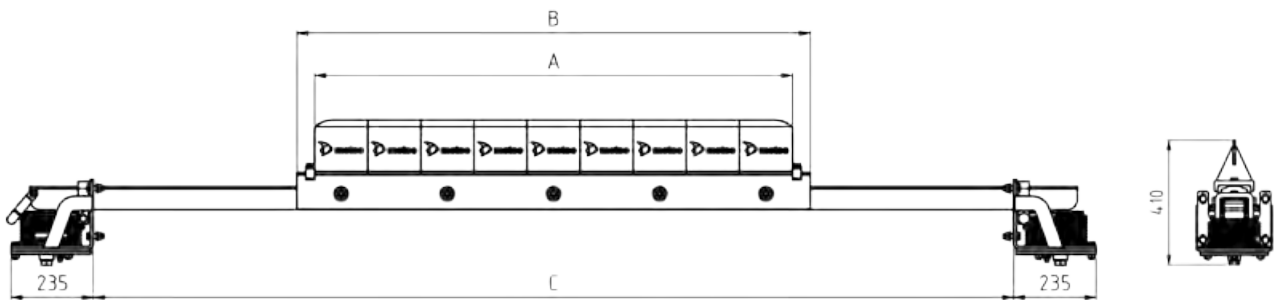
Steel/aluminium and stainless steel

Installation

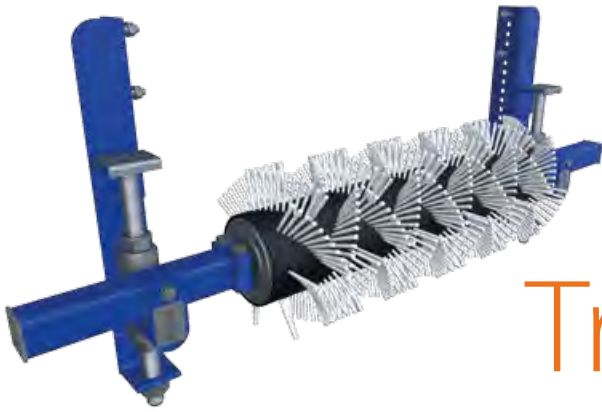
Belt speed: < 5 m/s

Tensioner:

BW750 – 3000 mm Type Z-HD-L



Part No.	Description	No. of blades	Weight (kg)	Cleaning width A (mm)	AI profile width B (mm)	Min width C (mm)	Max width C (mm)
MM0433600	TRELLEX ABC-T-HMS-HD-L BLADE PU			150			
MM0433601	TRELLEX ABC-T-HMS-HD-L EDGE BLADE PU			150			
MM0433952	TRELLEX ABC-T-HMS-HD-L SET BW30" / 750mm	4	95	600	700	700	1850
MM0433953	TRELLEX ABC-T-HMS-HD-L SET BW36" / 900mm	5	106	750	850	850	2000
MM0433954	TRELLEX ABC-T-HMS-HD-L SET BW42" / 1050mm	6	116	900	1000	1000	2150
MM0433957	TRELLEX ABC-T-HMS-HD-L SET BW48" / 1200mm	7	121	1050	1150	1150	2300
MM0433958	TRELLEX ABC-T-HMS-HD-L SET BW54" / 1350mm	8	128	1200	1300	1300	2450
MM0433959	TRELLEX ABC-T-HMS-HD-L SET BW60" / 1500mm	9	135	1350	1450	1450	2600
MM0433960	TRELLEX ABC-T-HMS-HD-L SET BW66" / 1650mm	10	145	1500	1600	1600	2750
MM0433961	TRELLEX ABC-T-HMS-HD-L SET BW72" / 1800mm	11	152	1650	1750	1750	2900
MM0433962	TRELLEX ABC-T-HMS-HD-L SET BW84" / 2100mm	13	174	1950	2050	2050	3200
MM0433963	TRELLEX ABC-T-HMS-HD-L SET BW96" / 2400mm	15	189	2250	2350	2350	3500
MM0433964	TRELLEX ABC-T-HMS-HD-L SET BW120" / 3000mm	19	216	2850	2950	2950	4100



Trellex ABC-BRUSH

This brush is ideal for cleaning cleated belts, helping maintain a clean surface without damaging the belt's profile. It is also a good complement to cleaners on standard smooth belts where fine, dry materials are being conveyed.

Material properties

Our brushes are made of high-quality, hardwearing nylon. We also offer brushes made with a combination of nylon and steel for use in the glass recycling industry. A central core of lightweight plastic (polypropylene) makes installation and section replacements easy.

Special features

The brush tube consists of 150 mm long modules. This saves on replacement parts, as well as giving complete size flexibility and guaranteeing availability. For a larger belt, just add more sections. The belt brush is driven by a fully encapsulated drum motor. This is not only a space-efficient alternative to an external motor but also highly reliable since no dust or dirt can enter and interfere with its mechanical moving parts.

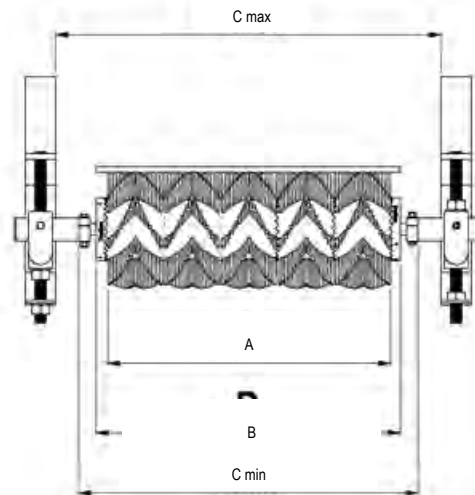
Technical description

Material: Nylon/steel/polypropylene

Belt speed: <2.5 m/s (<500 fpm)

Belt width: 500-1800 mm

Temperature: -25 °C to +40 °C



Part No.	Description	No. of brush modules	Weight (kg)	Cleaning width A (mm)	Motor width B (mm)	Min width C (mm)	Max width C (mm)
43290150	TRELLEX ABC-BRUSH MODUL L=150 D=1,5 PA/70			150			
43290158	TRELLEX ABC-BRUSH MODUL L=150 D=0,3S/1,5 PA/70						
43290016	TRELLEX ABC-BRUSH LOCKING RING FOR BRUSH			150			
43390500	TRELLEX ABC-BRUSH SET BW500	3	62	450	500	593	933
43390650	TRELLEX ABC-BRUSH SET BW650	4	68	600	650	743	1083
43390800	TRELLEX ABC-BRUSH SET BW800	5	73	750	800	893	1233
43391000	TRELLEX ABC-BRUSH SET BW1000	6	78	900	950	1043	1383
43391200	TRELLEX ABC-BRUSH SET BW1200	7	83	1050	1100	1193	1533
43391400	TRELLEX ABC-BRUSH SET BW1400	9	92	1350	1400	1493	1833
43391600	TRELLEX ABC-BRUSH SET BW1600	10	97	1500	1550	1643	1983
43391800	TRELLEX ABC-BRUSH SET BW1800	11	102	1650	1700	1793	2133



Trellex ABC-MC-LT



This simple yet hard cleaner is suitable for all mobile Metso Crushers - Lokotracks - as well as many other brands.

Material properties

The hard polyurethane material (PU 95) gives excellent rigidity and balanced performance .

Special features

Thanks to two cleaning zones, this product offers double the usual service life. When one zone is worn out, you can use the other, simply by turning the cleaner round.

If your mobile crusher has a simple plank-type cleaner, this product provides an economical solution for improving performance. Since it is a Lokotrack replacement part, availability is guaranteed.

Part No.	Description	Dimension (mm)	Weight (kg)
43242432	TRELLEX ABC-MC-LT	150	0.8



Trellex ABC-Easy



This multipurpose cleaner is suitable for a variety of light-duty applications.

Material properties

A sandwich construction of polyethylene and rubber - both hard-wearing materials - gives the product a long service life. In addition, the polyethylene's low friction reduces the risk of material build-up.

Special features

The ABC-Easy can also be used as a V-plough/diagonal plough.

Part No.	Description	Dimensions (mm)	Weight (kg)
1829906	TRELLEX ABC-EASY	25x130x500	1.8
1829909	TRELLEX ABC-EASY	25x130x1000	3.7
1829907	TRELLEX ABC-EASY	25x130x1500	5.6
1829911	TRELLEX ABC-EASY	25x130x2000	7.4



Trellex ABC – Tool SIT

Use our Scraper Installation Tool (SIT) to speed up your scraper installations, eliminate time-consuming manual calculations and get quick, accurate results. Developed by Metso, SIT uses laser precision to identify the optimal position in a chute or plate for mounting your Metso primary and secondary scrapers.

Compatible with Trellex ABC pre-cleaners:

Trellex ABC70, ABC90, ABC95, ABC70-HD, ABC90-HD, ABC-HMS and ABC-HMS-XL

With an adapter, SIT can be used with ABC90-HD-L and ABC90 HD-XL.

Compatible with Trellex ABC secondary cleaners:

Trellex ABC T-HMS and T-HS

Benefits in brief:

- No more errors or inaccuracies. SIT instantly laser-spots the exact mounting sites on both sides
- Optimised installation maximises performance and can thereby extend the wear life of your scrapers
- Light to carry; quick and easy to use
- You get hassle-free scraper installation and negligible downtime
- SIT contributes to overall site safety by ensuring scrapers are mounted properly



SIT is light and compact, with replaceable batteries. It comes packed in a tough plastic carrying case with easy-to-follow instructions.

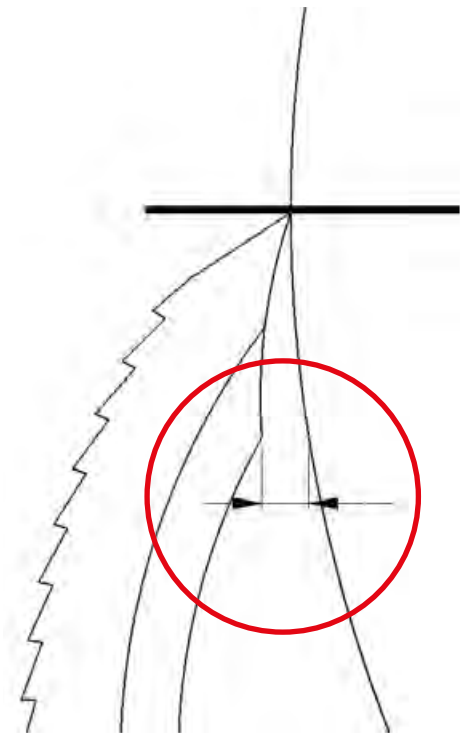
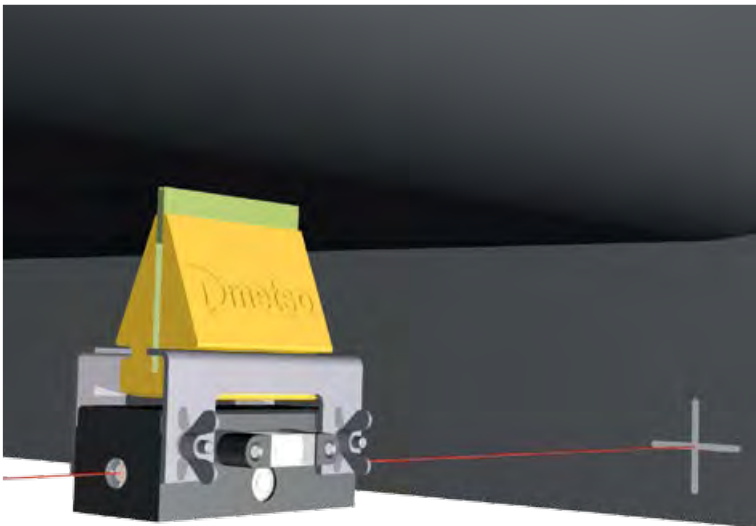
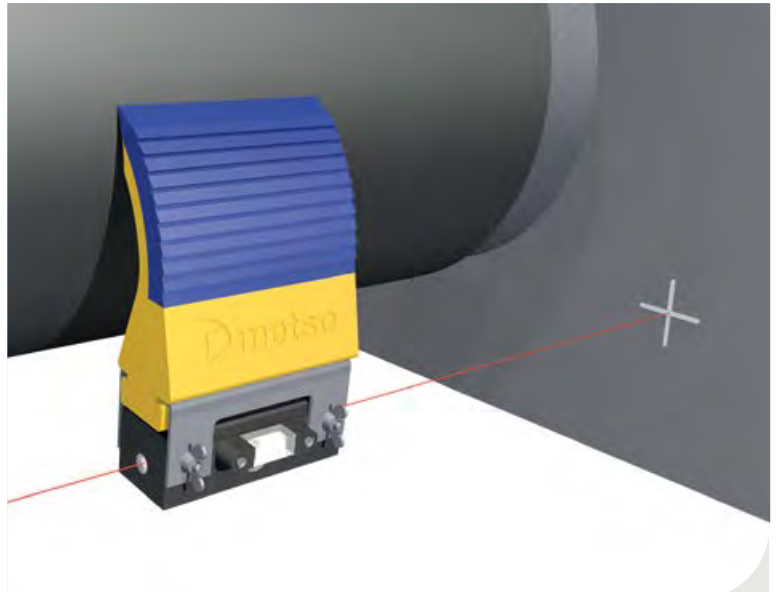
Technical description

Carrying case size: 240 x 200 x 110 mm

Carrying case
weight including SIT: 1.6 kg

Weight SIT: 0.75 kg

Size SIT: 150 x 80 x 80 mm



Part No. Complete Set	Description
MM0366319	Trellex ABC – Tool SIT with case

SIT helps you maintain the correct scraper position, ensuring that its tip is in contact with the belt (as shown above). Given the correct start position, the scraper will continue to function properly, even as it wears down.

For more details, see the Operator Manual.

Primary Tensioners

Several parameters affect the cleaning efficiency of your conveyors. For example, the contact angle between cleaner and belt, the contact area, and the pressure.

When the primary cleaner blades are kept securely in the correct position, these values remain at an optimal level throughout the wear life of the blades, which significantly enhances the efficiency of your primary cleaning function. Maintenance is minimised, since there is no need re-tension the spring.

Available in several models to suit different applications and types of belt cleaner, Metso tensioners ensure your cleaners stay in place. They are designed with health and safety in mind. For example, springs are enclosed to minimise the risk of operator injury.



Trellex ABC O-Tensioner - L



For light- to medium-duty applications. This tensioner is recommended for use with the Trellex ABC-ONE70 and Trellex ABC-ONE90.

The choice of spring is determined by the belt width. Metso's springs are colour-coded (blue, red and yellow) to enable quick identification.

Material properties

Built of 8 mm galvanised steel, this robust tensioner has a long service life. For operations involving aggressive materials such as salt or fertiliser, stainless steel can be requested.

Special features

Its compact design and variety of possible positioning options means the O-Tensioner can fit onto almost any kind of conveyor. The spring is encapsulated to protect it from damage, dust and dirt. It is easy to install and maintain, and does not require re-tensioning during the blade's wear life, which saves you time and effort and keeps unscheduled stops down to a minimum. Encapsulation also eliminates the risk of operators injuring their hands in the pinch point.

Technical data

- For Pre-cleaners
 - Trellex ABC-ONE70
 - Trellex ABC-ONE90
- BW 500-2000
- Standard: Steel/aluminium (Option: Stainless steel SS)
- Galvanised



Trellex ABC S-Tensioner - L/M



For light- to medium-duty applications. Suitable for use with pre-cleaning cleaner blades, this tensioner provides the right pressure to optimise the belt cleaning function.

This tensioner is recommended for use with all the following cleaners ABC70, ABC90, ABC95, ABC70HD, ABC90HD and ABC pre HMS.

Material properties

Built of 8 mm galvanised steel, this robust tensioner has a long service life. Also available in stainless steel, on request.

Special features

The spring is encapsulated to protect it from damage, dust and dirt. It is easy to install and maintain, and does not require re-tensioning during the blade's wear life, which saves you time and effort and keeps unscheduled stops down to a minimum. Encapsulation also eliminates the risk of operators injuring their hands in the pinch point.

Technical data

- For Pre-cleaners
 - Trellex ABC70
 - Trellex ABC90
 - Trellex ABC95
 - Trellex ABC-HMS
 - Trellex ABC70-HD
 - Trellex ABC90-HD
- BW 500-2000
- Standard: Steel/aluminium (Option: Stainless steel SS)
- Galvanised and powder dip-coated



Primary Tensioners cont.



Trellex ABC L-Tensioner - H



Designed for medium- to heavy-duty applications. For use with our largest and toughest pre-cleaning cleaner blades, this tensioner provides the right pressure to optimise the belt-cleaning function.

Material properties

Made of powder dip-coated steel, up to 15 mm thick, this robust tensioner has a very long service life. It can even withstand the impact of heavy rocks bouncing back up from the chute.

Special features

The spring and the rotation disk in this tensioner are joined by a wire, which is 5 m as standard but can be much longer if necessary. This means that if your installation point is hard to access, the tensioner can be placed on the service platform at a distance from the rotation point, and it is still easy to adjust the pressure.

A unique, optional feature of this tensioner is the anti-rollback device. Placed on the rotation axis, it prevents the blade from aquaplaning and being pushed away from the belt during wet weather or when the material itself is wet.

Technical data

- For Pre-cleaners
Trellex ABC90-HD-L
- BW 3000
- Standard: Steel/aluminium
(Option: Stainless steel SS)
- Powder dip-coated



Trellex ABC LX-Tensioner - H



Designed for heavy-duty applications like hard rock mining. This tensioner is used with our giant pre-cleaning cleaner blades to provide the right pressure to optimise the belt-cleaning function.

Material properties

Made of powder dip-coated steel, up to 20 mm thick, this robust tensioner has a very long service life. It can even withstand the impact of heavy rocks bouncing back up from the chute.

Special features

The spring and the rotation disk in this tensioner are joined by a wire, which is 5 m as standard but can be much longer if necessary. This means that if your installation point is hard to access, the tensioner can be placed on the service platform at a distance from the rotation point, and it is still easy to adjust the pressure.

A unique, optional feature of this tensioner is the anti-rollback device. Placed on the rotation axis, it prevents the blade from aquaplaning and being pushed away from the belt during wet weather or when the material itself is wet.

Technical data

- For Pre-cleaners
Trellex ABC90-HD-LX
- BW 3000
- Standard: Steel/aluminium
(Option: Stainless steel SS)
- Powder dip-coated





Secondary Tensioners

Several parameters affect the cleaning efficiency of your conveyors. For example, the contact angle between cleaner and belt, the contact area, and the pressure.

When the secondary cleaner blades are kept securely in the correct position, these values remain at an optimal level throughout the wear life of the blades, which significantly enhances the efficiency of your secondary cleaning function.

In addition, maintenance is minimised, since the blade-to-belt contact pressure is stable throughout the blade's lifetime and eliminates the need to re-tension the spring.



Trellex ABC Z-Tensioner - light to medium L/M



This tensioner works with the secondary cleaners to maintain the correct pressure and thereby optimise your secondary cleaning function.

Material properties

The standard material is 8 mm galvanised steel, but it is also available in stainless steel on request, for use in more aggressive applications.

Special features

The Z-Tensioner is a flexible, hardwearing product with a smart, space-saving design. It includes several features for easy installation and blade changes. For example, a slide-in/slide-out system that makes it quick and easy to replace the blades, and safe for operators. It can be installed inside or outside the conveyor chute and tightened from above or below. The Z-Tensioner's compact design minimises the risk of contact with motor or gearbox, and an encapsulated spring protects from damage, dust and dirt – thereby also reducing maintenance and increasing wear life.

Technical data

- For Sec-Cleaners
 - Trellex ABC-T-HS RU
 - Trellex ABC-T-HMS RU
 - Trellex ABC-T-HMS PU
- BW 500-2000
- Standard: Steel/aluminium (Option: Stainless steel SS)
- Galvanised and powder dip-coated



Trellex ABC Z-HD-L-Tensioner - medium to heavy M/H



The latest innovation in Metso secondary belt cleaning systems is the Trellex ABC Z-HD-L-Tensioner. It works together with the Trellex ABC-T-HMS-HD-L PU secondary cleaner to provide the right pressure and optimise the secondary cleaning function. Its compact design offers smart features for installation and blade changes – all gathered into one flexible, hardwearing product.

Material properties

The standard Z-HD-L-Tensioner is powder dip-coated. For operations involving aggressive materials such as salt or fertiliser, stainless steel can be requested.

Special features

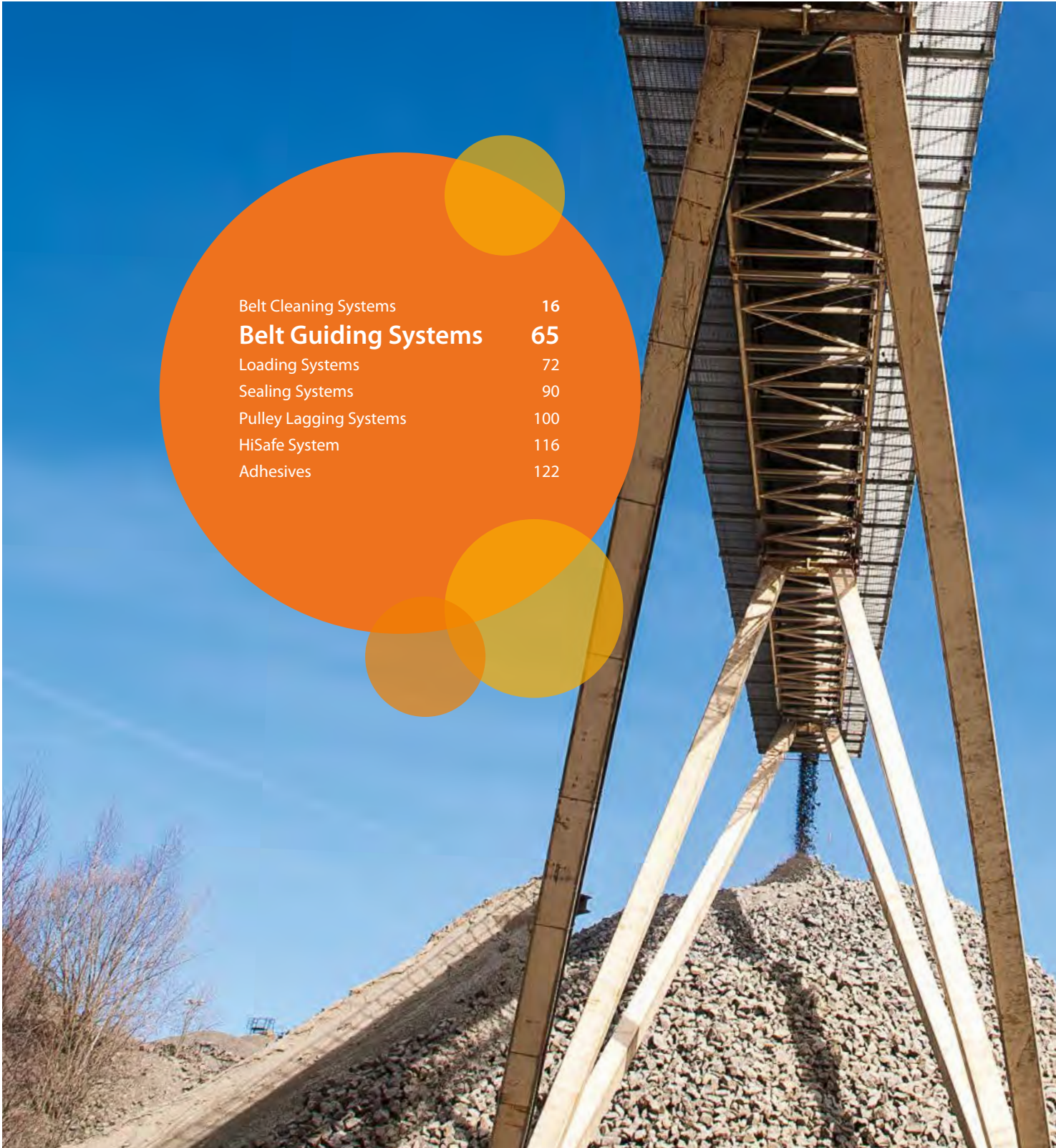
Thanks to its compact design the Z-HD-L-Tensioner can fit onto almost any kind of conveyor. It's easy to install, maintain and re-tension, which saves you time and effort and keeps unscheduled stops down to a minimum.

Technical data

- For Sec-Cleaners
 - Trellex ABC-T-HMS-HD-L PU
- BW 750-3000
- Standard: Steel/aluminium
- Option: Stainless steel SS
- Powder dip-coated



Accessories



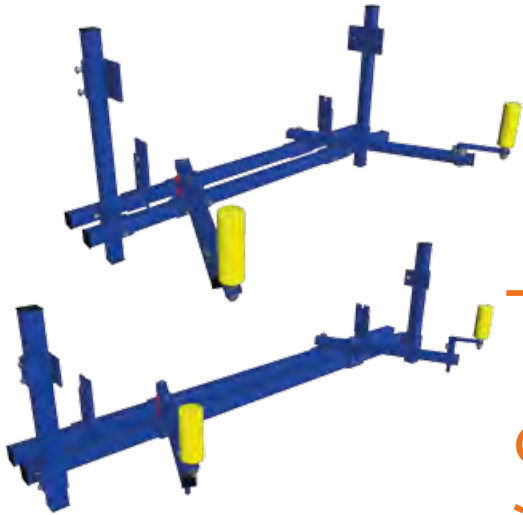
Belt Cleaning Systems	16
Belt Guiding Systems	65
Loading Systems	72
Sealing Systems	90
Pulley Lagging Systems	100
HiSafe System	116
Adhesives	122



Belt Guiding Systems

With all the punishment a typical conveyor belt takes – from the elements and continual loading impacts – it is normal for some misalignment to occur. But this problem can easily be prevented. Trellex belt guiding systems offer smart solutions for keeping your belts moving, extending their wear life, protecting the conveyor frame and increasing safety at your site.

Trellex SBC and Trellex SBC-HD	67
Trellex RBC	69



Trellex SBC and SBC-HD

Mounted on the return part of the belt, the Trellex SBC is a simple, robust system that centres the conveyor belt automatically as needed. It performs reliably even in the toughest working conditions, keeping your belt on track and protecting both belt and conveyor from harm. This means fewer costly stops for maintenance or adjustments, fewer staff interventions and hence, a safer, more productive work environment.

Material properties

The basic construction is of powder-coated steel. Extra PU protection is available as an option to further extend the rollers' wear life. High-quality bronze bushings are used in the pivot points to ensure optimal belt guidance. For easy maintenance, we also offer an optional central lubrication kit along with this product.

Special features

Ultra-sensitive mistracking detection and fast response make the Trellex SBC and SBC HD a very high-performance belt guiding system. The guide rollers are easy to install and replace, and the whole system can be adjusted to various belt widths and types.

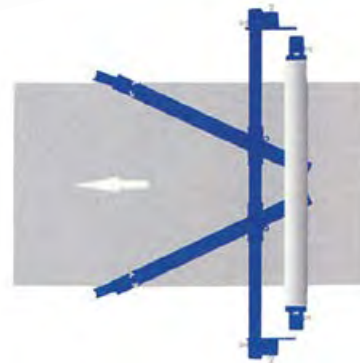
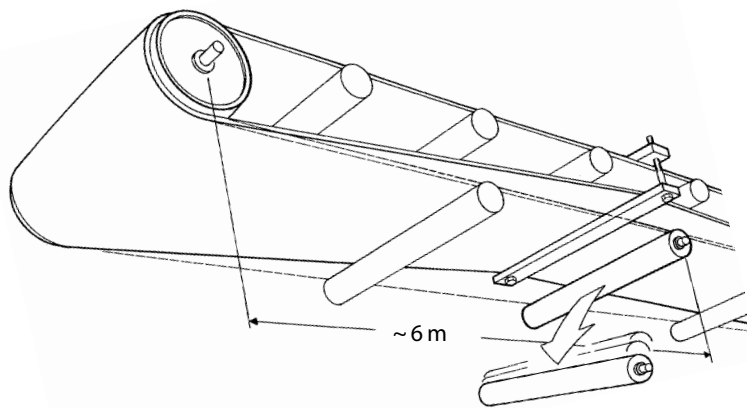
Technical description

Construction material: Steel, S235JRG2

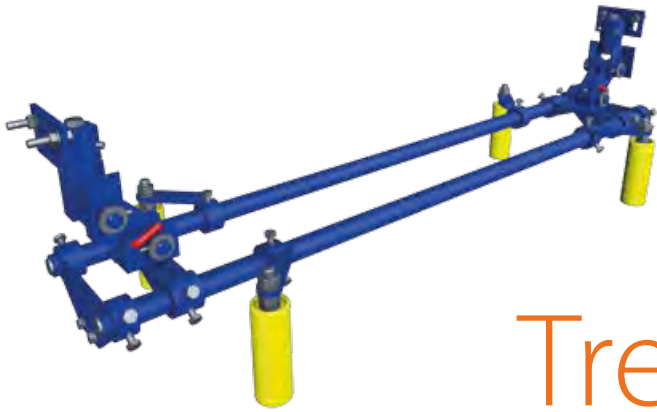
Surface treatment: Powder-coated blue RAL 5005



The pictures show the correct position and the Trellex Belt Conductor in action



Part No. complete set	Description	Weight (kg)
43272700	TRELLEX SBC SET BW450-1200	53
MM0361444	TRELLEX SBC SET BW1400-1600	56
MM0393914	TRELLEX SBC-HD SET WITHOUT SQUARE TUBES	66
43272760	TRELLEX SBC-HD SET WITH 3 SQUARE TUBES	169
43272730	TRELLEX SBC LUBRICATING KIT	



Trellex RBC

The greatest risk of belt misalignment is with reversible conveyors. Trellex RBC is an elegant solution to this problem. Mounted on top of the belt on the return side, its edge rollers detect the slightest deviation from the ideal belt path and guide it back on track automatically, regardless of which direction the belt is travelling.

Material properties

The basic construction is of powder-coated steel. Extra PU protection is available as an option to further extend the rollers' wear life. High-quality bushings are used in the pivot points to ensure optimal belt guidance. For easy maintenance, we also offer an optional central lubrication kit along with this product.

Special features

Thanks to ultra-sensitive mistracking detection with fast response, Trellex RBC is a very smart way to minimise maintenance and spillage clean-up costs, and to prevent costly damage to your conveyor belt and frame. The guide rollers are easy to install and replace, and the whole system can be adjusted to various belt widths and types.

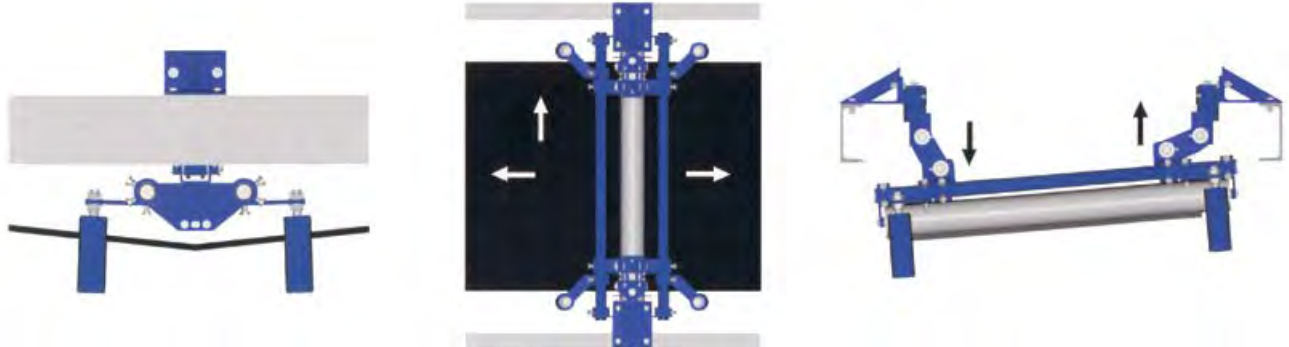
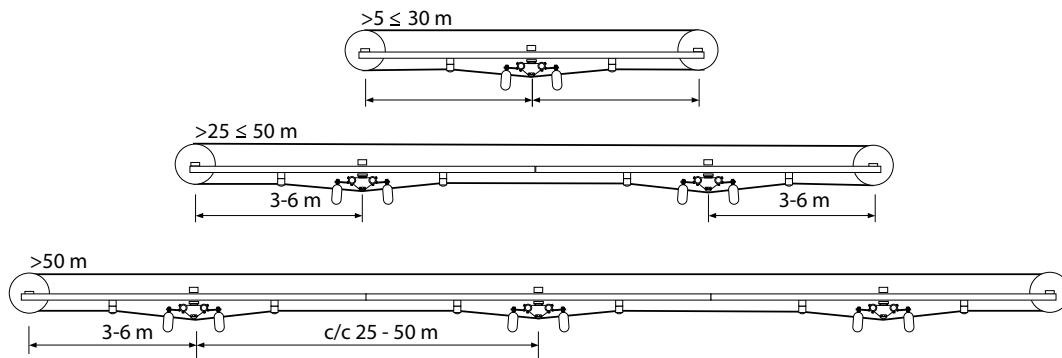
Technical description

Construction material: Steel, S235JRG2

Surface treatment: Powder-coated blue RAL 5005



The pictures show the correct position and the Trellex Belt Conductor in action



Part No. complete set	Description	Weight (kg)
43272740	TRELLEX RBC SET BW450-1200	53
MM0361453	TRELLEX RBC SET BW1400-1600	56

Accessories

Belt Cleaning Systems	16
Belt Guiding Systems	66
Loading Systems	72
Sealing Systems	90
Pulley Lagging Systems	100
HiSafe System	116
Adhesives	122





Loading Systems

In any mining or aggregate operation, the conveyor belts, frames and rollers are subject to relentless forces and impacts, day after day. Although these vary in accordance with parameters like drop height, the type of material and fragment size, no conveyor remains unaffected.

A Metso loading system keeps your conveyor safe. Consisting of a cradle and impact bars placed at the transfer or loading point, often between two conveyors – it protects your valuable equipment from impact damage when material is being transferred. Without such a system, constant wear and tear would crush the belt, break the rollers, crack the frame, and significantly increase your costs.

Our loading protection is one of the most advanced and dependable available on the market today. Find out more about how Metso can help you protect your equipment investments, and keep your conveyors moving.

Selection Guide Impact Cradle	73
Trellex Impact Bar	75
Trellex Impact Cradle	77
Trellex Glidebar	87
Trellex Glidebar Cradle	88

Selection Guide

- Impact Cradle

Impact Cradle calculation tool

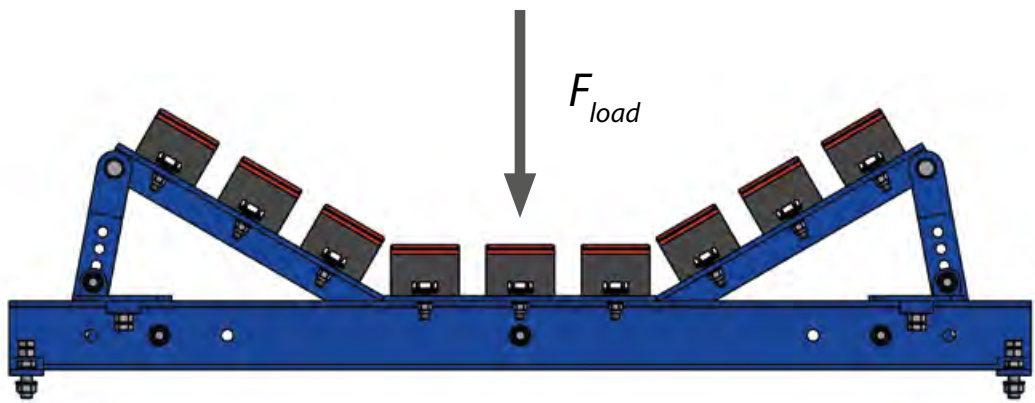
To avoid buying a product that is not strong enough to withstand the impact of your operations, we recommend you use our impact calculation tool. Armed with the results, you can confidently choose a loading solution that is correctly designed to protect your equipment investments and keep your conveyors moving. The program actually provides you with two options, based on the information you input about your conveyors. Our impact cradles are divided into three categories (L, M and H) depending on the load classes (see table below).

Loading rates impact cradles

Category	Description	Max impact force	Height of impact bars (mm)
L	Light duty	<35000 N	50
M	Medium duty	<50000 N	75
H	Heavy duty	<75000 N	75

The following assumptions and dimensioning are used in all calculations:

- The full load is distributed onto the steel beam as a point load in the centre.
- The energy absorption from the belt, impact bars and the conveyor structure are the safety factor.
- No permanent deformation.
- UPE steel beam for given loads and versions with regards to steel properties for the UPE profile.
- Material S355N/M (EN 10025-3/4:2004), tolerances EN10279.



Trellex Impact Calculator



Output from the calculation tool

Below you can see the output or 'result sheet' from using our calculation tool. It includes all the data required for ordering a Metso product.

Required data:

- Customer and supplier information
- Belt width
- Length of impact zone
- Belt speed
- Maximum drop height
- Material flow
- Maximum lump weight (or material density) and largest lump size





Trellex Impact Bar

Designed for use with a Trellex Impact Cradle, the impact bar was first invented by Metso about 30 years ago and is still a very popular product. Although many other companies have created their own models, Metso sets the standard and still offers the most reliable way to protect conveyors from impact damage. No other product matches ours in terms of performance and durability, and no more recent invention has rendered the impact bar obsolete.

Material properties

There are several good reasons to choose impact bars from Metso, the inventors of loading zone protectors. They begin with the choice of material. Our bars are made of high-grade polyethylene, which lowers friction and gives a good wear life; a special rubber compound engineered for absorbing impact; and a reinforced aluminium profile that is a full 71% stronger than earlier models.

Special features

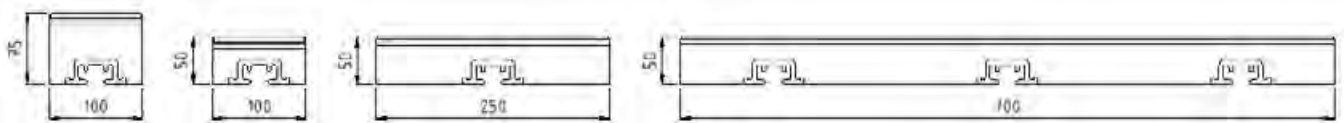
Equally important is the method used for joining the materials together. Strong bonding techniques ensure that the impact bars stay intact over time. Moreover, the aluminium is vulcanised to the rubber making the bars easy to fasten with T-bolts. This product has the additional advantage of helping to support the conveyor belt around the sealing systems. And the absence of moving parts reduces the risk of pinching accidents, as well as making the system virtually maintenance-free.

Technical description

Material: Impact-absorbing rubber 57 Shore A
UHMWPE 1000 red

Fastening rail: Aluminium

T-bolt: TF35/25 M12x40/35 mm



T-bolt, washer and nut

Part No.	Description	Height (mm)	Width (mm)	Length (mm)	Weight (kg)
1554150	TRELLEX IMPACT BAR 50X100X1220	50	100	1220	6.7
431554150	TRELLEX IMPACT BAR 50X100X1220 W/ FASTENING	50	100	1220	7.0
1554155	TRELLEX IMPACT BAR 50X100X1520	50	100	1520	8.4
431554155	TRELLEX IMPACT BAR 50X100X1520 W/ FASTENING	50	100	1520	8.8
1438590	TRELLEX IMPACT BAR 75X100X1220	75	100	1220	9.5
431438590	TRELLEX IMPACT BAR 75X100X1220 W/ FASTENING	75	100	1220	9.8
1438595	TRELLEX IMPACT BAR 75X100X1520	75	100	1520	11.9
431438595	TRELLEX IMPACT BAR 75X100X1520 W/ FASTENING	75	100	1520	12.3
1554154	TRELLEX IMPACT BAR 50X250X1220	50	250	1220	15.1
431554154	TRELLEX IMPACT BAR 50X250X1220 W/ FASTENING	50	250	1220	15.4
1554153	TRELLEX IMPACT BAR 50X700X1220	50	700	1220	42.5
431554153	TRELLEX IMPACT BAR 50X700X1220 W/ FASTENING	50	700	1220	43.4
1554240	T-BOLT M12				
009213050125	WASHER				
704203927120	NUT				



Trellex Impact Cradle

Used in conjunction with Trellex Impact Bars, Trellex Impact Cradles give your loading zone long-lasting support and protection. Custom-built using modular standard components, each cradle we supply is designed to fit the precise specifications of your individual conveyor. This gives you the best of all worlds – a cradle that matches your exact requirements, yet is cost-effective.

Material properties

Our cradles are made out of a strong steel mounting that's tough enough to withstand high impact forces (see chart on page 83). They are angled to stabilise the belt and maximise the Sealing system's performance.

Special features

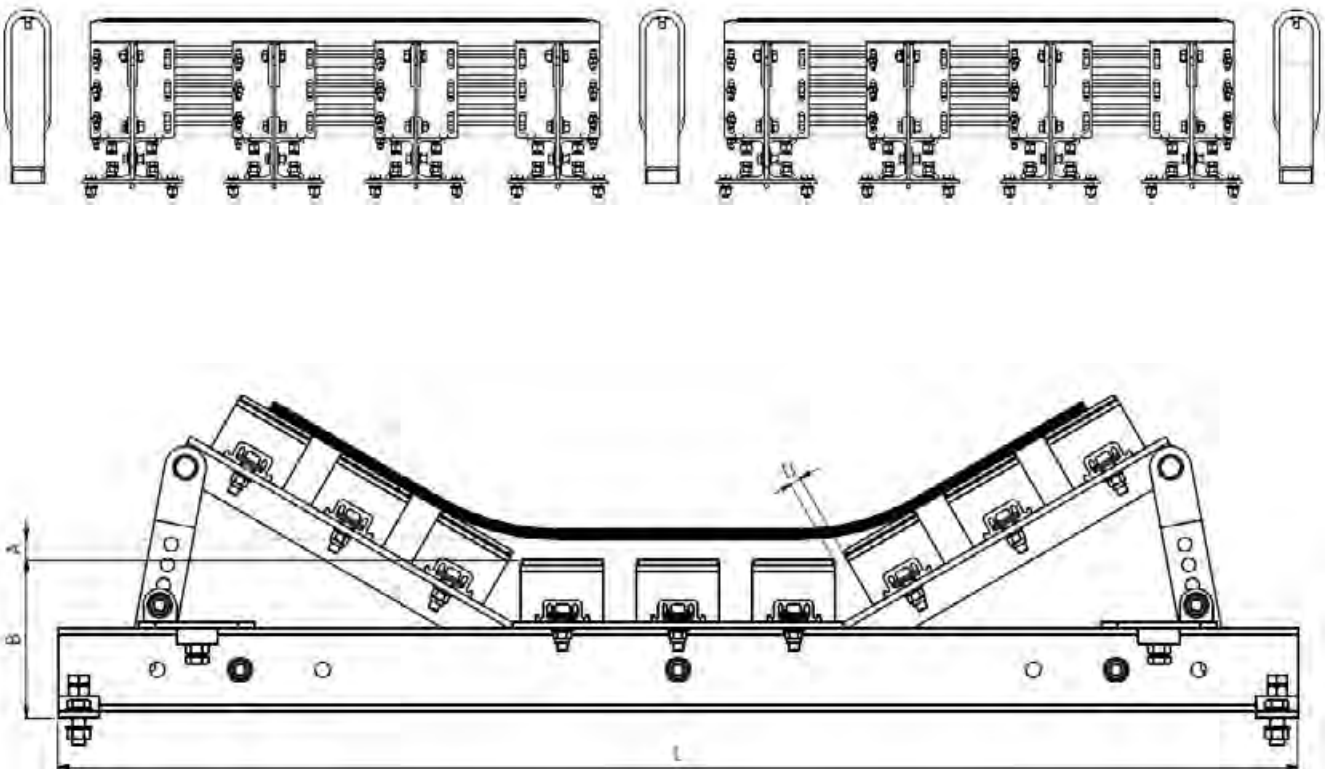
The absence of moving parts effectively eliminates the most common problem of conventional idlers, i.e. seized rollers. The consequent increase in reliability reduces your costs and raises your productivity. Installation and maintenance are easy since our cradles can be slid in and out of position, reducing the typical replacement time from 3 hours to 30 minutes. This not only lowers costs but also reduces the risk of operator injuries.

Technical description

Construction material: Steel, S235JRG2 & S355N/M
Surface treatment: Powder-coated blue RAL5005



For multiple impact cradle applications, install an impact idler in between



Description	Distance between bars in the centre and normal unloaded line of the belt A (mm)	Backing height B (mm)	Max width C BW500-1000 (mm)	Max width C BW1200-1600 (mm)	Max width C BW1800-2000 (mm)	D (mm)
TRELLEX IMPACT CRADLE LIGHT (L)	25	142	1500	2000	2500	10
TRELLEX IMPACT CRADLE MEDIUM (M)	25	191	1500	2000	2500	10
TRELLEX IMPACT CRADLE HEAVY (H)	25	231	1500	2000	2500	10





With
Impact Bars

Trellex Impact Cradle

Continued from previous page

Trellex Impact Cradle with Impact Bars 1220(4') LIGHT

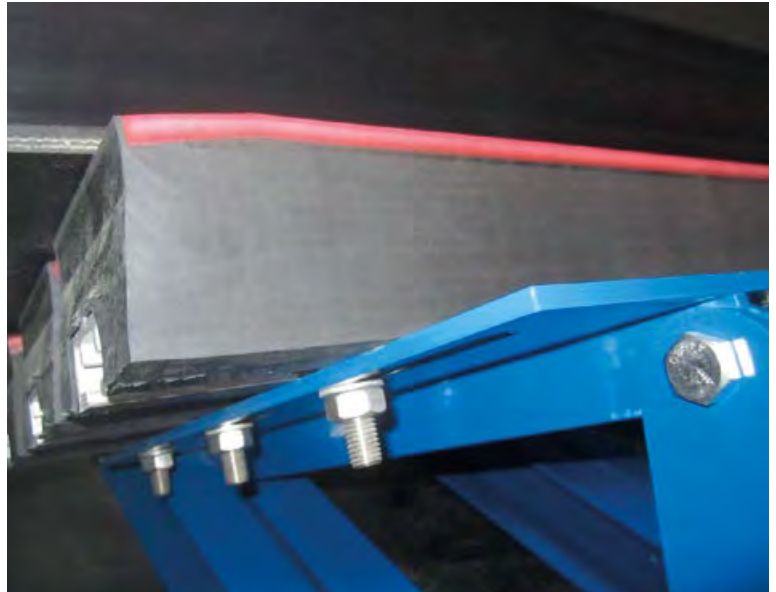
Part No.	Description	Belt width (inch)	Belt width (mm)	No. of Impact Bars	Weight (lbs)	Weight (kg)	Drawing No.
MM0436212	TRELLEX CRADLE BW500/650(24"/30") W/IMP1220(4') L	24	500	6	450	204	487140-154
MM0436212	TRELLEX CRADLE BW500/650(24"/30") W/IMP1220(4') L	30	650	6	450	204	487140-154
MM0436213	TRELLEX CRADLE BW800(36") W/IMP1220(4') L	36	800	7	472	214	487140-155
MM0436214	TRELLEX CRADLE BW1000(42") W/IMP1220(4') L	42	1000	9	525	238	487140-156
MM0436215	TRELLEX CRADLE BW1200(48") W/IMP1220(4') L	48	1200	10	626	284	487140-157
MM0436216	TRELLEX CRADLE BW54" W/IMP1220(4') L	54	-	12	681	309	487140-158
MM0436217	TRELLEX CRADLE BW1400(60") W/IMP1220(4') L	60	1400	13	699	317	487140-159
MM0436218	TRELLEX CRADLE BW1600(66") W/IMP1220(4') L	66	1600	15	752	341	487140-160
MM0436219	TRELLEX CRADLE BW1800(72") W/IMP1220(4') L	72	1800	16	860	390	487140-161
MM0436220	TRELLEX CRADLE BW2000(84") W/IMP1220(4') L	84	2000	18	913	414	487140-162

Trellex Impact Cradle with Impact Bars 1520(5') LIGHT

Part No.	Description	Belt width (inch)	Belt width (mm)	No. of Impact Bars	Weight (lbs)	Weight (kg)	Drawing No.
MM0436221	TRELLEX CRADLE BW500/650(24"/30") W/IMP1520(5') L	24	500	6	560	254	487140-172
MM0436221	TRELLEX CRADLE BW500/650(24"/30") W/IMP1520(5') L	30	650	6	560	254	487140-172
MM0436222	TRELLEX CRADLE BW800(36") W/IMP1520(5') L	36	800	7	589	267	487140-173
MM0436223	TRELLEX CRADLE BW1000(42") W/IMP1520(5') L	42	1000	9	657	298	487140-174
MM0436224	TRELLEX CRADLE BW1200(48") W/IMP1520(5') L	48	1200	10	783	355	487140-175
MM0436225	TRELLEX CRADLE BW54" W/IMP1520(5') L	54	-	12	851	386	487140-176
MM0436226	TRELLEX CRADLE BW1400(60") W/IMP1520(5') L	60	1400	13	873	396	487140-177
MM0436227	TRELLEX CRADLE BW1600(66") W/IMP1520(5') L	66	1600	15	937	425	487140-178
MM0436228	TRELLEX CRADLE BW1800(72") W/IMP1520(5') L	72	1800	16	1074	487	487140-179
MM0436229	TRELLEX CRADLE BW2000(84") W/IMP1520(5') L	84	2000	18	1142	518	487140-180

Technical description

Construction material: Steel, S235JRG2 & S355N/M
Surface treatment: Powder-coated blue RAL5005



Trellex Impact Cradle with Impact Bars 1220(4') MEDIUM



Part No.	Description	Belt width (inch)	Belt width (mm)	No. of Impact Bars	Weight (lbs)	Weight (kg)	Drawing No.
MM0436230	TRELLEX CRADLE BW500/650(24"/30") W/IMP1220(4') M	24	500	6	608	276	487140-110
MM0436230	TRELLEX CRADLE BW500/650(24"/30") W/IMP1220(4') M	30	650	6	608	276	487140-110
MM0436231	TRELLEX CRADLE BW800(36") W/IMP1220(4') M	36	800	7	635	288	487140-114
MM0436232	TRELLEX CRADLE BW1000(42") W/IMP1220(4') M	42	1000	9	716	325	487140-118
MM0436233	TRELLEX CRADLE BW1200(48") W/IMP1220(4') M	48	1200	10	851	386	487140-122
MM0436234	TRELLEX CRADLE BW54" W/IMP1220(4') M	54	-	12	922	418	487140-126
MM0436235	TRELLEX CRADLE BW1400(60") W/IMP1220(4') M	60	1400	13	948	430	487140-130
MM0436236	TRELLEX CRADLE BW1600(66") W/IMP1220(4') M	66	1600	15	1019	462	487140-134
MM0436237	TRELLEX CRADLE BW1800(72") W/IMP1220(4') M	72	1800	16	1164	528	487140-138
MM0436238	TRELLEX CRADLE BW2000(84") W/IMP1220(4') M	84	2000	18	1241	563	487140-142

Trellex Impact Cradle with Impact Bars 1520(5') MEDIUM



Part No.	Description	Belt width (inch)	Belt width (mm)	No. of Impact Bars	Weight (lbs)	Weight (kg)	Drawing No.
MM0436239	TRELLEX CRADLE BW500/650(24"/30") W/IMP1520(5') M	24	500	6	758	344	487140-112
MM0436239	TRELLEX CRADLE BW500/650(24"/30") W/IMP1520(5') M	30	650	6	758	344	487140-112
MM0436240	TRELLEX CRADLE BW800(36") W/IMP1520(5') M	36	800	7	791	359	487140-116
MM0436241	TRELLEX CRADLE BW1000(42") W/IMP1520(5') M	42	1000	9	897	407	487140-120
MM0436242	TRELLEX CRADLE BW1200(48") W/IMP1520(5') M	48	1200	10	1063	482	487140-124
MM0436243	TRELLEX CRADLE BW54" W/IMP1520(5') M	54	-	12	1151	522	487140-128
MM0436244	TRELLEX CRADLE BW1400(60") W/IMP1520(5') M	60	1400	13	1184	537	487140-132
MM0436245	TRELLEX CRADLE BW1600(66") W/IMP1520(5') M	66	1600	15	1274	578	487140-136
MM0436246	TRELLEX CRADLE BW1800(72") W/IMP1520(5') M	72	1800	16	1453	659	487140-140
MM0436247	TRELLEX CRADLE BW2000(84") W/IMP1520(5') M	84	2000	18	1550	703	487140-144



With
Impact Bars

Trellex Impact Cradle

Continued from previous page

Trellex Impact Cradle with Impact Bars 1220(4') HEAVY



Part No.	Description	Belt width (inch)	Belt width (mm)	No. of Impact Bars	Weight (lbs)	Weight (kg)	Drawing No.
MM0436248	TRELLEX CRADLE BW500/650(24"/30") W/IMP1220(4') H	24	500	6	756	343	487140-199
MM0436248	TRELLEX CRADLE BW500/650(24"/30") W/IMP1220(4') H	30	650	6	756	343	487140-199
MM0436249	TRELLEX CRADLE BW800(36") W/IMP1220(4') H	36	800	7	789	358	487140-200
MM0436250	TRELLEX CRADLE BW1000(42") W/IMP1220(4') H	42	1000	9	871	395	487140-201
MM0436251	TRELLEX CRADLE BW1200(48") W/IMP1220(4') H	48	1200	10	1052	477	487140-202
MM0436252	TRELLEX CRADLE BW54" W/IMP1220(4') H	54	-	12	1131	513	487140-203
MM0436253	TRELLEX CRADLE BW1400(60") W/IMP1220(4') H	60	1400	13	1157	525	487140-204
MM0436254	TRELLEX CRADLE BW1600(66") W/IMP1220(4') H	66	1600	15	1232	559	487140-205
MM0436255	TRELLEX CRADLE BW1800(72") W/IMP1220(4') H	72	1800	16	1424	646	487140-206
MM0436256	TRELLEX CRADLE BW2000(84") W/IMP1220(4') H	84	2000	18	1506	683	487140-207

Trellex Impact Cradle with Impact Bars 1520(5') HEAVY



Part No.	Description	Belt width (inch)	Belt width (mm)	No. of Impact Bars	Weight (lbs)	Weight (kg)	Drawing No.
MM0436257	TRELLEX CRADLE BW500/650(24"/30") W/IMP1520(5') H	24	500	6	944	428	487140-208
MM0436257	TRELLEX CRADLE BW500/650(24"/30") W/IMP1520(5') H	30	650	6	944	428	487140-208
MM0436258	TRELLEX CRADLE BW800(36") W/IMP1520(5') H	36	800	7	985	447	487140-209
MM0436259	TRELLEX CRADLE BW1000(42") W/IMP1520(5') H	42	1000	9	1087	493	487140-210
MM0436260	TRELLEX CRADLE BW1200(48") W/IMP1520(5') H	48	1200	10	1312	595	487140-211
MM0436261	TRELLEX CRADLE BW54" W/IMP1520(5') H	54	-	12	1413	641	487140-212
MM0436262	TRELLEX CRADLE BW1400(60") W/IMP1520(5') H	60	1400	13	1446	656	487140-213
MM0436263	TRELLEX CRADLE BW1600(66") W/IMP1520(5') H	66	1600	15	1539	698	487140-214
MM0436264	TRELLEX CRADLE BW1800(72") W/IMP1520(5') H	72	1800	16	1779	807	487140-215
MM0436265	TRELLEX CRADLE BW2000(84") W/IMP1520(5') H	84	2000	18	1881	853	487140-216



Trellex Impact Cradle

Continued from previous page

Trellex Impact Cradle 1220(4') LIGHT



Part No.	Description	Belt width (inch)	Belt width (mm)	No. of Impact Bars	Weight (lbs)	Weight (kg)	Drawing No.
MM0436296	TRELLEX CRADLE BW500/650(24"/30") - 1220(4') L	24	500	6	355	161	487140-145
MM0436296	TRELLEX CRADLE BW500/650(24"/30") - 1220(4') L	30	650	6	355	161	487140-145
MM0436297	TRELLEX CRADLE BW800(36") - 1220(4') L	36	800	7	362	164	487140-146
MM0436298	TRELLEX CRADLE BW1000(42") - 1220(4') L	42	1000	9	384	174	487140-147
MM0436299	TRELLEX CRADLE BW1200(48") - 1220(4') L	48	1200	10	470	213	487140-148
MM0436300	TRELLEX CRADLE BW54" - 1220(4') L	54	-	12	494	224	487140-149
MM0436301	TRELLEX CRADLE BW1400(60") - 1220(4') L	60	1400	13	496	225	487140-150
MM0436302	TRELLEX CRADLE BW1600(66") - 1220(4') L	66	1600	15	516	234	487140-151
MM0436303	TRELLEX CRADLE BW1800(72") - 1220(4') L	72	1800	16	608	276	487140-152
MM0436304	TRELLEX CRADLE BW2000(84") - 1220(4') L	84	2000	18	631	286	487140-153

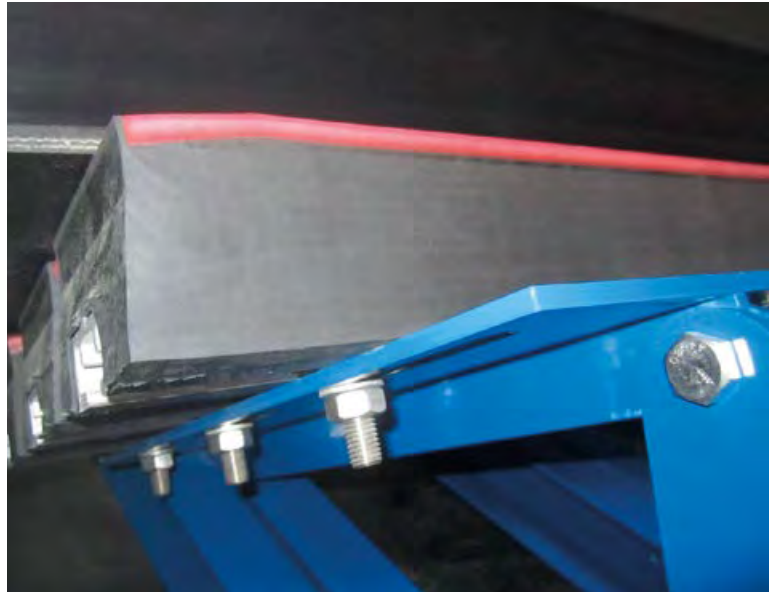
Trellex Impact cradle 1520(5') LIGHT



Part No.	Description	Belt width (inch)	Belt width (mm)	No. of Impact Bars	Weight (lbs)	Weight (kg)	Drawing No.
MM0436307	TRELLEX CRADLE BW500/650(24"/30") - 1520(5') L	24	500	6	443	201	487140-163
MM0436307	TRELLEX CRADLE BW500/650(24"/30") - 1520(5') L	30	650	6	443	201	487140-163
MM0436308	TRELLEX CRADLE BW800(36") - 1520(5') L	36	800	7	452	205	487140-164
MM0436309	TRELLEX CRADLE BW1000(42") - 1520(5') L	42	1000	9	481	218	487140-165
MM0436310	TRELLEX CRADLE BW1200(48") - 1520(5') L	48	1200	10	586	266	487140-166
MM0436311	TRELLEX CRADLE BW54" - 1520(5') L	54	-	12	617	280	487140-167
MM0436312	TRELLEX CRADLE BW1400(60") - 1520(5') L	60	1400	13	619	281	487140-168
MM0436313	TRELLEX CRADLE BW1600(66") - 1520(5') L	66	1600	15	644	292	487140-169
MM0436314	TRELLEX CRADLE BW1800(72") - 1520(5') L	72	1800	16	761	345	487140-170
MM0436315	TRELLEX CRADLE BW2000(84") - 1520(5') L	84	2000	18	789	358	487140-171

Technical description

Construction material: Steel, S235JRG2 & S355N/M
Surface treatment: Powder-coated blue RAL5005



Trellex Impact Cradle 1220(4') MEDIUM

Part No.	Description	Belt width (inch)	Belt width (mm)	No. of Impact Bars	Weight (lbs)	Weight (kg)	Drawing No.
MM0436316	TRELLEX CRADLE BW500/650(24"/30") - 1220 M	24	500	6	476	216	487140-109
MM0436316	TRELLEX CRADLE BW500/650(24"/30") - 1220 M	30	650	6	476	216	487140-109
MM0436317	TRELLEX CRADLE BW800(36") - 1220 M	36	800	7	481	218	487140-113
MM0436318	TRELLEX CRADLE BW1000(42") - 1220 M	42	1000	9	520	236	487140-117
MM0436319	TRELLEX CRADLE BW1200(48") - 1220 M	48	1200	10	631	286	487140-121
MM0436320	TRELLEX CRADLE BW54" - 1220 M	54	-	12	659	299	487140-125
MM0436321	TRELLEX CRADLE BW1400(60") - 1220 M	60	1400	13	664	301	487140-129
MM0436322	TRELLEX CRADLE BW1600(66") - 1220 M	66	1600	15	690	313	487140-133
MM0436323	TRELLEX CRADLE BW1800(72") - 1220 M	72	1800	16	813	369	487140-137
MM0436324	TRELLEX CRADLE BW2000(84") - 1220 M	84	2000	18	847	384	487140-141

Trellex Impact Cradle 1520(5') MEDIUM

Part No.	Description	Belt width (inch)	Belt width (mm)	No. of Impact Bars	Weight (lbs)	Weight (kg)	Drawing No.
MM0436325	TRELLEX CRADLE BW500/650(24"/30") - 1520 M	24	500	6	595	270	487140-111
MM0436325	TRELLEX CRADLE BW500/650(24"/30") - 1520 M	30	650	6	595	270	487140-111
MM0436326	TRELLEX CRADLE BW800(36") - 1520 M	36	800	7	600	272	487140-115
MM0436327	TRELLEX CRADLE BW1000(42") - 1520 M	42	1000	9	650	295	487140-119
MM0436328	TRELLEX CRADLE BW1200(48") - 1520 M	48	1200	10	789	358	487140-123
MM0436329	TRELLEX CRADLE BW54" - 1520 M	54	-	12	822	373	487140-127
MM0436330	TRELLEX CRADLE BW1400(60") - 1520 M	60	1400	13	829	376	487140-131
MM0436331	TRELLEX CRADLE BW1600(66") - 1520 M	66	1600	15	864	392	487140-135
MM0436332	TRELLEX CRADLE BW1800(72") - 1520 M	72	1800	16	1016	461	487140-139
MM0436333	TRELLEX CRADLE BW2000(84") - 1520 M	84	2000	18	1058	480	487140-143



Trellex Impact Cradle

Continued from previous page

Trellex Impact Cradle 1220(4') HEAVY

Part No.	Description	Belt width (inch)	Belt width (mm)	No. of Impact Bars	Weight (lbs)	Weight (kg)	Drawing No.
MM0436334	TRELLEX CRADLE BW500/650(24"/30") - 1220 H	24	500	6	624	283	487140-181
MM0436334	TRELLEX CRADLE BW500/650(24"/30") - 1220 H	30	650	6	624	283	487140-181
MM0436335	TRELLEX CRADLE BW800(36") - 1220 H	36	800	7	635	288	487140-182
MM0436336	TRELLEX CRADLE BW1000(42") - 1220 H	42	1000	9	672	305	487140-183
MM0436337	TRELLEX CRADLE BW1200(48") - 1220 H	48	1200	10	831	377	487140-184
MM0436338	TRELLEX CRADLE BW54" - 1220 H	54	-	12	869	394	487140-185
MM0436339	TRELLEX CRADLE BW1400(60") - 1220 H	60	1400	13	873	396	487140-186
MM0436340	TRELLEX CRADLE BW1600(66") - 1220 H	66	1600	15	904	410	487140-187
MM0436341	TRELLEX CRADLE BW1800(72") - 1220 H	72	1800	16	1074	487	487140-188
MM0436342	TRELLEX CRADLE BW2000(84") - 1220 H	84	2000	18	1111	504	487140-189

Trellex Impact Cradle 1520(5') HEAVY

Part No.	Description	Belt width (inch)	Belt Width (mm)	No. of Impact Bars	Weight (lbs)	Weight (kg)	Drawing No.
MM0436343	TRELLEX CRADLE BW500/650(24"/30") - 1520 H	24	500	6	780	354	487140-190
MM0436343	TRELLEX CRADLE BW500/650(24"/30") - 1520 H	30	650	6	780	354	487140-190
MM0436344	TRELLEX CRADLE BW800(36") - 1520 H	36	800	7	794	360	487140-191
MM0436345	TRELLEX CRADLE BW1000(42") - 1520 H	42	1000	9	840	381	487140-192
MM0436346	TRELLEX CRADLE BW1200(48") - 1520 H	48	1200	10	1038	471	487140-193
MM0436347	TRELLEX CRADLE BW54" - 1520 H	54	-	12	1085	492	487140-194
MM0436348	TRELLEX CRADLE BW1400(60") - 1520 H	60	1400	13	1091	495	487140-195
MM0436349	TRELLEX CRADLE BW1600(66") - 1520 H	66	1600	15	1131	513	487140-196
MM0436350	TRELLEX CRADLE BW1800(72") - 1520 H	72	1800	16	1343	609	487140-197
MM0436351	TRELLEX CRADLE BW2000(84") - 1520 H	84	2000	18	1389	630	487140-198



Trellex Glide Bar

Trellex Glide Bars create a sealed surface against the conveyor belt, but being made partly of rubber, they also help absorb impacts. Designed for use on the troughed sides of the conveyor belt, Trellex Glide Bars support the edge of the belt and prevent sagging between the rollers, giving an even surface to seal against. Together with our Trellex Sealing Systems, they do an efficient job of preventing dust and material spillage.

Material properties

They consist of sandwiched polyethylene and rubber, bonded with a vulcanised aluminium profile for easy fixing with T-bolts. The yellow top layer is made of ultra-high molecular weight polyethylene, which has low friction and good wear resistance. The rubber material beneath it can absorb some energy, which helps protect the conveyor belt and equipment from damage.

Special features

Trellex Glide Bars can be combined with Trellex Impact Bars on a cradle in the loading zone, or in lighter-weight applications on a formed plate that replaces the outer troughing rollers. A third option – called the Trellex Glide Bar Cradle – is a special support where the angle, width and height are all adjustable.

Technical description

Material: Impact-absorbing rubber 57 Shore A UHMWPE 1000 yellow

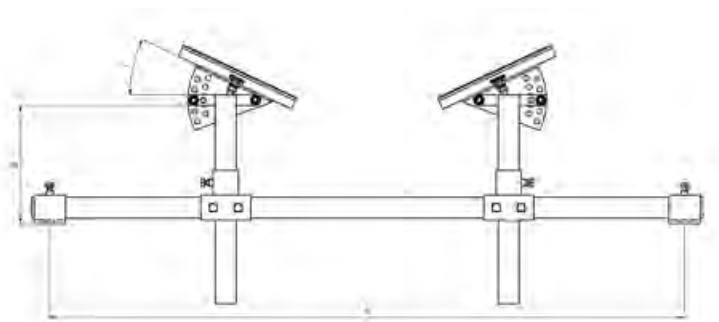
Fastening rail: Aluminium

T-bolt: TF35/25 M12 x 40/35 mm



Trellex Glide Bar Cradle

Description	Max width A (mm)	Max height B (mm)	Min height B (mm)	Max angle (degrees)
GLIDE BAR CRADLE	1525	485	130	45



Part no.	Description	Height (mm)	Width (mm)	Length (mm)	Weight (kg)
2069350	TRELLEX GLIDE BAR 30X200X1120	30	200	1120	7.2
432069350	TRELLEX GLIDE BAR 30X200X1120 W/ FASTENING	30	200	1120	7.6
2069360	TRELLEX GLIDE BAR 30X300X1120	30	300	1120	10.4
432069360	TRELLEX GLIDE BAR 30X300X1120 W/ FASTENING	30	300	1120	10.8
43271700	TRELLEX CRADLE FOR GLIDEBARS SET BW500-1200				40.6
MM0438744	TRELLEX CRADLE FOR GLIDEBARS SET BW500-1200 W-GLIDEBAR 300				62.2
MM0438745	TRELLEX CRADLE FOR GLIDEBARS SET BW500-1200 W-GLIDEBAR 200				55.8
1554240	T-BOLT				
009213050125	WASHER				
704203927120	NUT				

Accessories



Belt Cleaning Systems	16
Belt Guiding Systems	66
Loading Systems	72
Sealing Systems	90
Pulley Lagging Systems	100
HiSafe System	116
Adhesives	122



Sealing Systems

Designed to safely seal the area where the chute meets the conveyor, Metso's sealing systems prevent dust or material spillage. There are several obvious advantages to using a well-designed Sealing System. It prevents waste of product, and protects your equipment from damage. And most importantly of all, it prevents dust escaping into the atmosphere thereby protecting the health of your operators.

In contrast with certain low-cost sealing solutions, Metso's systems are made using a specially developed material, which is softer than that of the conveyor belt. This prevents grooves forming in the belt over an extended period of operation. Instead of the belt material being worn down, the material in our sealing system is gradually and safely consumed over an extended period of operation.

Trellex Snap-On	91
Trellex Clamp-On	93
Trellex Wearliner	95
Trellex Inspection Hatch	97



Trellex Snap-On

Designed to safely seal the area where the chute meets the conveyor. When longer stretches of your belt need to be sealed, the Trellex Snap-On sealing system is the optimal choice.

Material properties

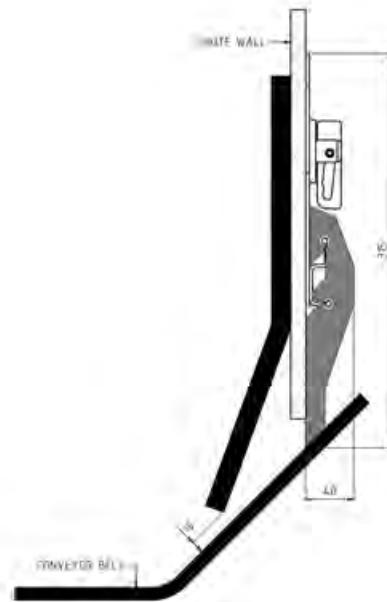
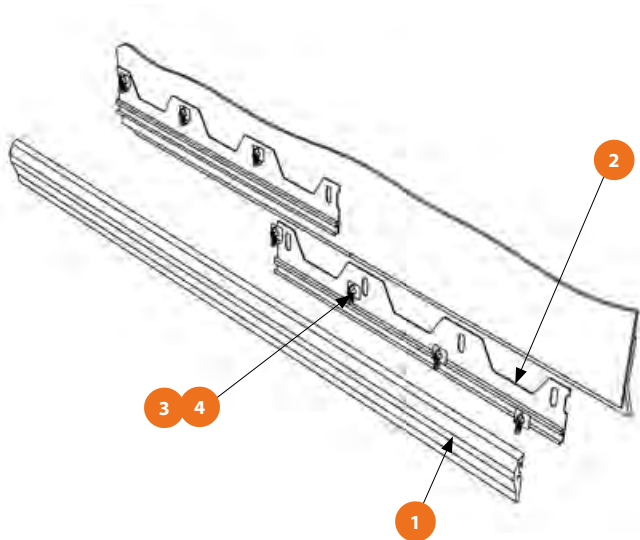
Made of extruded EPDM rubber, a material developed specially for this application, the product is delivered on a roll. It has lower wear properties than the belt itself, which means that there is no risk of grooves forming on the belt, even over extended periods of operation. When the rubber sides start to wear down, it is easy to readjust the position of the sealing system to keep the seal tight.

Special features

A laser-cut metal bracket is attached to the chute wall with simple wedge bolts, which makes installation very easy. Extruded rubber sides are then snapped onto the bracket's special profile – hence the name Snap-On. Since the rubber is delivered on a roll, and the construction is very simple, this sealing system works well for sealing longer stretches of your belt.

Technical description

Material: 1. EPDM rubber RU
2. Galvanised steel
Hardness: 60 +/-5 Shore A
Density: 1.16 g/cm³
Colour: Black



Part no.	Spare parts	Description	Weight (kg)
MM0378624		TRELLEX SNAP-ON SET-BOTH SIDES L=2400 INCL WEARLINER	142.7
43271400		TRELLEX SNAP-ON SET-BOTH SIDES L=2400	75.9
43271401	1	TRELLEX SNAP-ON SEALING STRIP L=5000	23.6
43271402	2	TRELLEX SNAP-ON BACKING PLATE L=1200	6.6
43271403	3	TRELLEX SNAP-ON WEDGE BOLT Ø12	0.1
43271404	4	TRELLEX SNAP-ON SQUARE WASHER 5X21X50 FZV	0.1



Trellex Clamp-On

This neatly designed sealing system is suitable for most common applications, safely sealing the area where the chute meets the conveyor.

Material properties

Made of foam PU, a material developed specially for this application, the product is delivered in blocks of two type of lengths. The PU material has lower wear properties than the belt itself, which means that there is no risk of grooves forming on the belt, even when used over extended periods. And when the PU starts to wear down, it is easy to readjust the position of the sealing system and keep the seal tight.

Special features

A laser-cut metal plate is screwed or welded to the chute wall. The foam PU blocks are then hooked onto the plate's profile and clamped into position with a horizontal aluminium profile. To adjust their height, the clamps can just be released and the PU blocks manoeuvred into the new position. Where two PU blocks overlap, an overlapping Z- profile guarantees a tight seal.



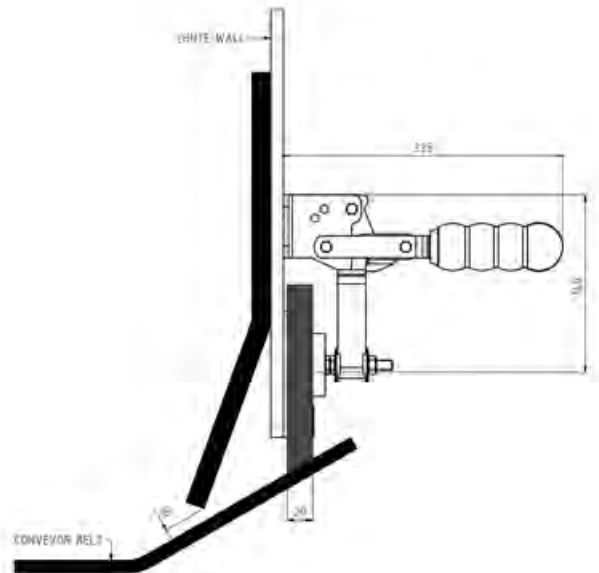
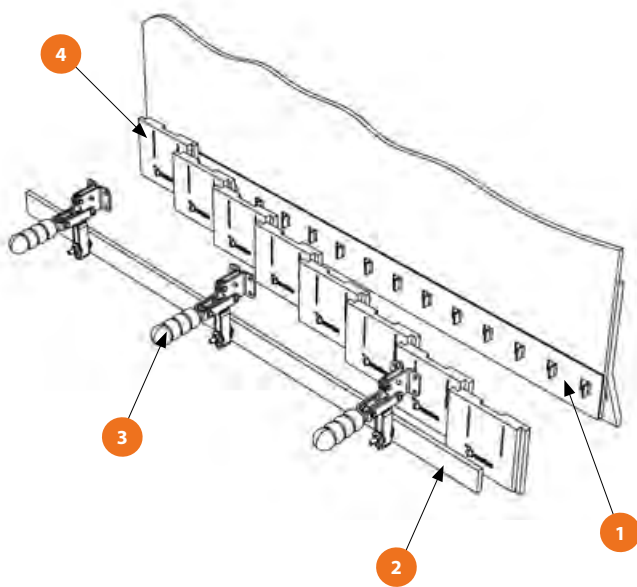
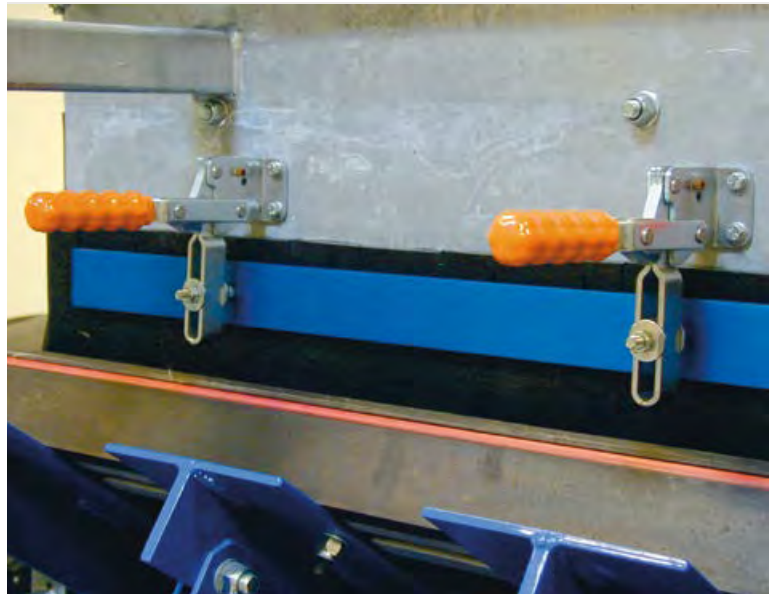
150 x 150



150 x 600

Technical description

Material: 1. Foam PU
2. Galvanised steel 3. Aluminium
Hardness: 85 +/-5 Shore A
Density: 1.03 g/cm³
Colour: Black



Part no.	Spare parts	Description	Weight (kg)
43271215		TRELLEX CLAMP-ON SET-BOTH SIDES L=1200 W/ 16X150 SEALING BLOCKS	142.7
MM0396966		TRELLEX CLAMP-ON SET-BOTH SIDES L=1200 W/ 16X150 W/O WL	75.9
43271260		TRELLEX CLAMP-ON SET-BOTH SIDES L=1200 W/ 4X600 SEALING BLOCKS	23.6
MM0396967		TRELLEX CLAMP-ON SET-BOTH SIDES L=1200 W/ 4X600 W/O WL	6.6
43270150	4	TRELLEX CLAMP-ON SEALING BLOCK L=150	0.1
43270600		TRELLEX CLAMP-ON SEALING BLOCK L=600	0.1
43270000	3	TRELLEX CLAMP-ON CLAMP	
43271201	2	TRELLEX CLAMP-ON CLAMPING BAR L=1200	
43271200	1	TRELLEX CLAMP-ON GUIDE PLATE L=1200	



Trellex Wearliner

A valuable addition to every chute, this highly practical product steadily delivers a whole series of important advantages.

Material properties

The product is made of rubber vulcanised onto an angled steel plate. The special type of rubber (Trellex T60) used is a very hardwearing material that can withstand heavy impacts. Its high elasticity means that falling material bounces off its surface, efficiently preventing material from getting trapped and damaging the belt.

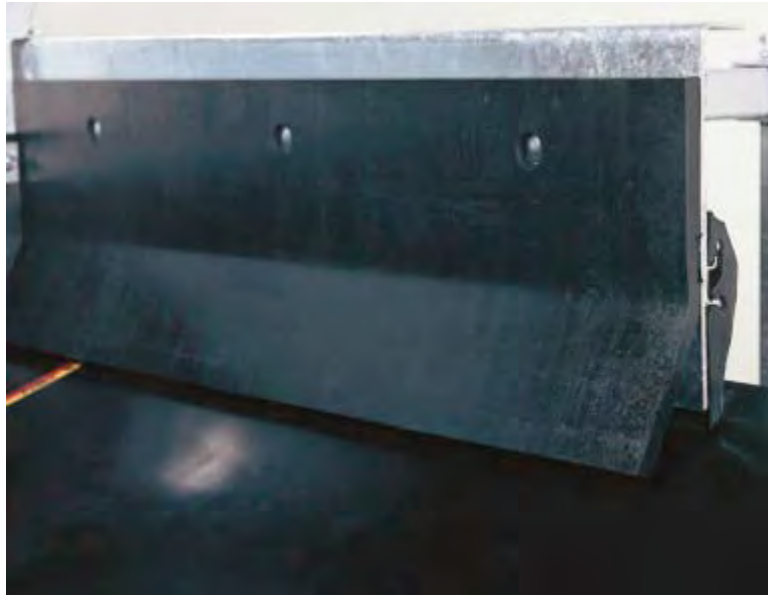
Special features

Trellex Wearliner sits inside the chute wall and, thanks to its angled profile, guides material towards the centre of the belt and away from the sealing system. This helps eliminate mistracking and gives your sealing system a longer wear life.

Lined with soft rubber, this valuable accessory greatly reduces the noise of falling material inside the chute, thus also contributing to a better working environment.

Technical description

Material: 1. Rubber RU
2. Steel (t = 5 mm)
RU Hardness: 60 +/-5 Shore A
RU Density: 1.12 g/cm³
Colour: Black



Angled



Plain



Part no.	Description	Weight (kg)
43271202	TRELLEX WEARLINER 15X350X1200 PLAIN	16.7
43271203	TRELLEX WEARLINER 15X350X1200	16.7



Trellex Inspection Hatch

We recommend using an inspection hatch whenever you want to watch or access the workings of a closed operation. For example, when checking the condition of your belt cleaner, or even replacing it.

Material properties

Unlike most competing products, Metso's inspection hatch is made of foam PU with a steel frame, not just steel alone. Thanks to the elasticity of the foam PU, the inspection hatch sits tightly in position, preventing leakage of dust or other substances.

Special features

Our inspection hatch is designed for very easy installation. Just screw into position, and get access to the parts of your equipment that would otherwise be impossible to see or reach – in minutes!

Technical description

Material: 1. Foam PU

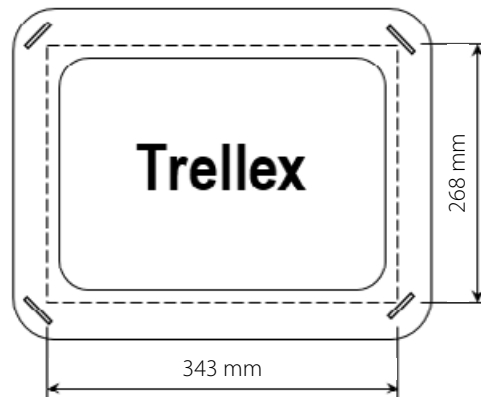
2. Powder dip-coated steel

PU Hardness: 44 +/-5 Shore A

PU Density: 1.03 g/cm³

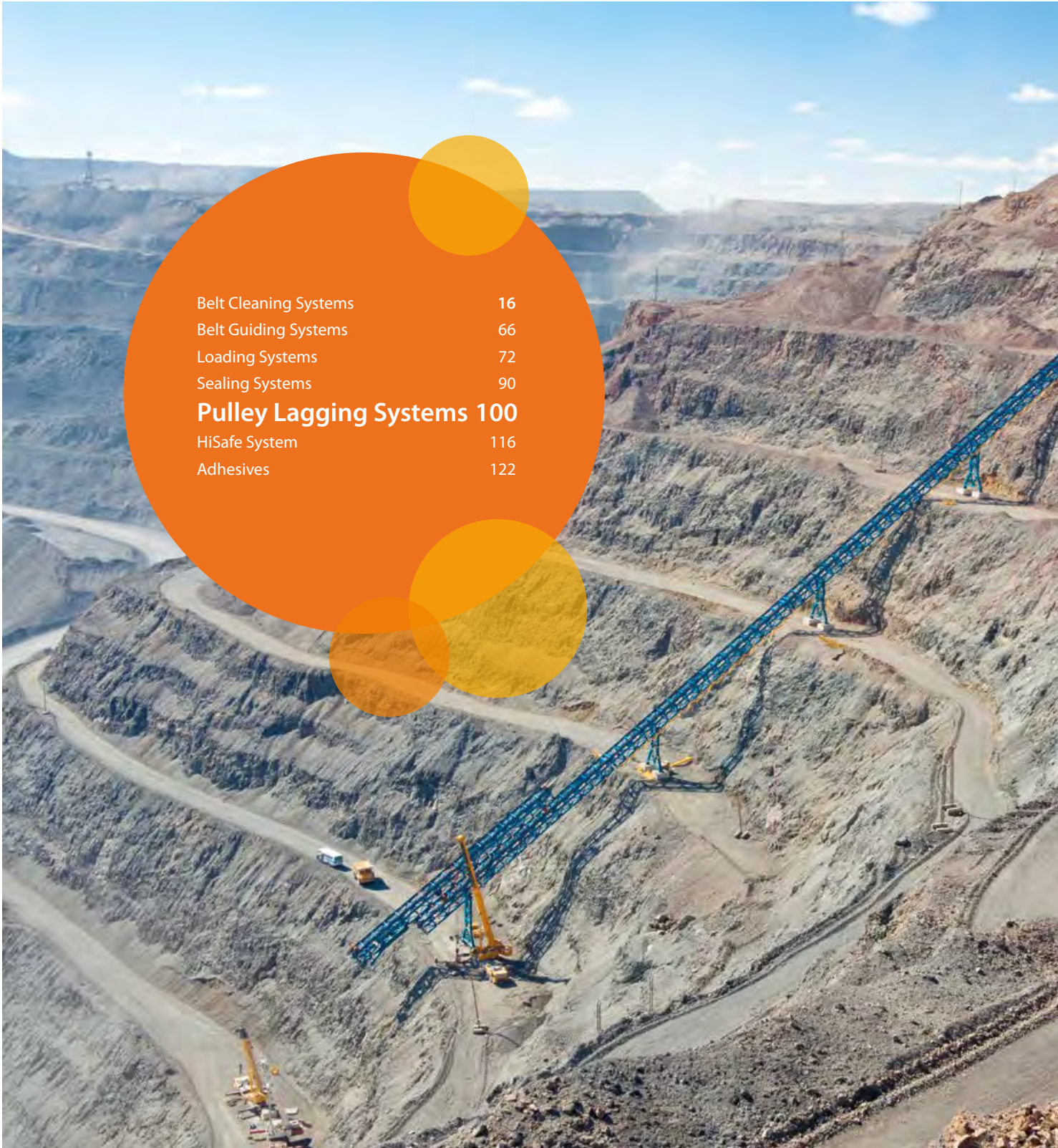
Colour: Black

Dimensions: Hatch 400x325x30 mm



Part no.	Description	Weight (kg)
43280400	TRELLEX INSP. HATCH SET 400X325	5.1
43280401	TRELLEX INSP. HATCH HATCH	1.9
43280402	TRELLEX INSP. HATCH FRAME	3.1
43280403	TRELLEX INSP. HATCH RETAINING BLADE SCREW 8X2	

Accessories



Belt Cleaning Systems	16
Belt Guiding Systems	66
Loading Systems	72
Sealing Systems	90
Pulley Lagging Systems	100
HiSafe System	116
Adhesives	122



Pulley Lagging Systems

With a pulley lagging system from Metso, your pulley and conveyor belt remain in contact at all times. This increases friction and prevents the belt from slipping – which would otherwise rapidly ruin your belt, especially at high rotation speeds. In the worst case, slipping can lead to overheating and even start a fire. A pulley lagging system therefore makes an important contribution to the safety of your conveyor.

Metso offers the broadest range of pulley lagging systems on the market, supplying everything from the most basic to the most technically advanced products.

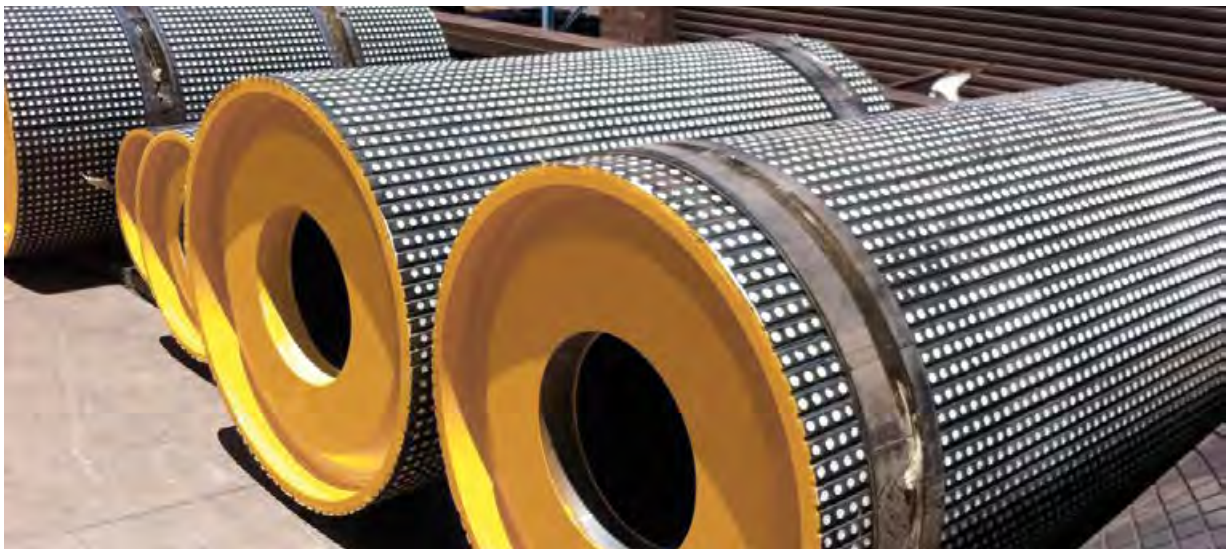
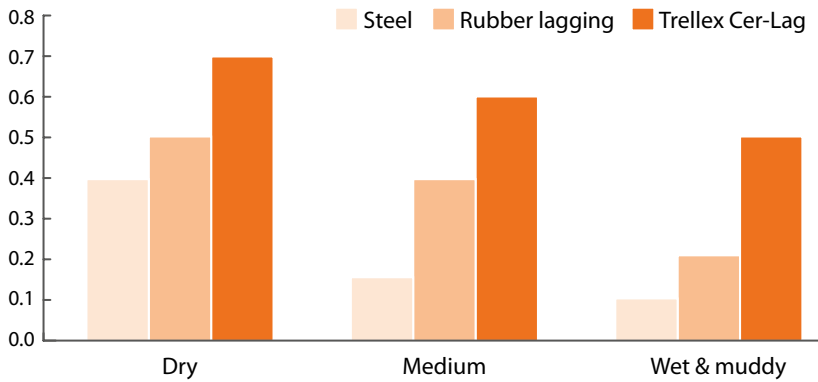
Lagging Comparison	101
Trellex Traclag	103
Trellex Griplag	105
Trellex Pulley Bar	109
Trellex Cerlag	111

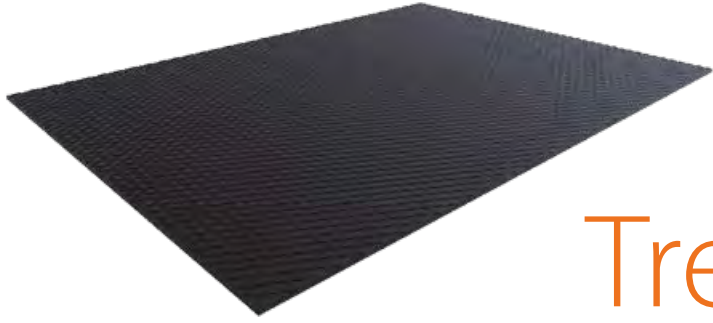
Lagging Comparison

Adding a suitable lagging to the drive pulley will not only reduce wear on the pulley but also increase the coefficient of friction. The lagging comparison allows you to compare and select the pulley lagging bringing maximum value to your application. Simply compare the coefficient of friction in dry, medium or wet conditions to find the product being most suitable for your specific conditions.

LAGGING TYPE	DRY	MEDIUM	WET
(Steel)	0.4	0.15	<0.1
Trellex T60 & T40	0.5	0.4	0.2
Trellex Traclag	0.6	0.5	0.2
Trellex Griplag	0.6	0.5	0.4
Trellex Pulley Bar	0.6	0.5	0.4
Trellex Cerlag	0.7	0.6	0.5

Coefficient of friction





Trellex Traclag

A good-quality Trellex T60 pulley lagging system with a diamond-patterned tread. This is Metso's standard offering for OEMs.

Material properties

Trellex T60 offers good wear resistance so Traclag is equipped to handle the internal wear that typically occurs between the points where the belt meets and leaves the pulley.

Special features

A contact layer of 0.8 mm enables good adherence to the pulley. It ensures a higher bonding strength without the need to buff the rubber, thereby minimising installation time.

Technical description

Material: Wear rubber 60 ± 5 Shore A
Contact Layer-CL 0.8 mm

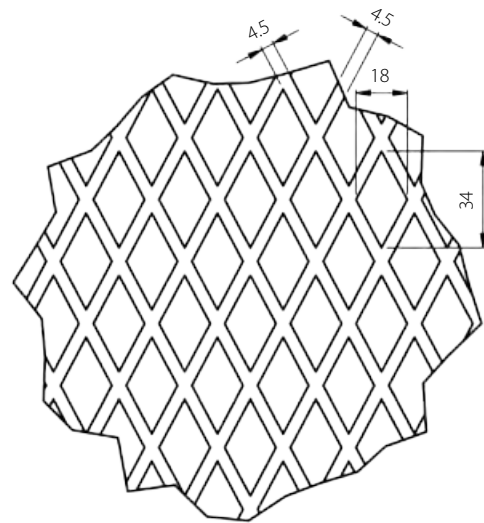
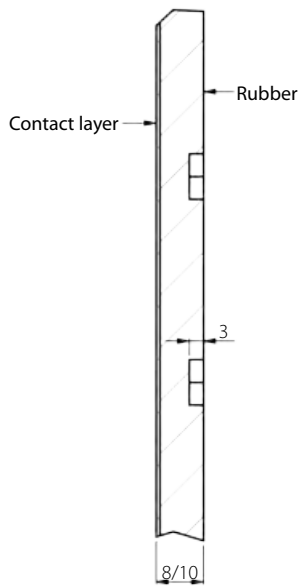
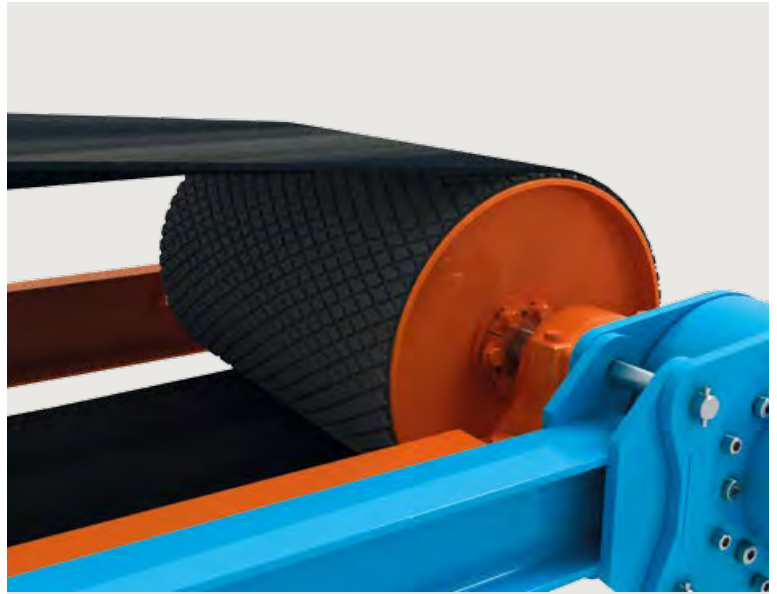
Upper side/wear side: Diamond-pattern

Dept of profile: 3 mm

Thickness: 8 mm and 10 mm

Width: 1500 mm and 2000 mm

Other dimensions available on request



Part No.	Description
958085	TRELLEX TRACLAG 8X1500X50000 CL
958081	TRELLEX TRACLAG 8X2000X50000 CL
958084	TRELLEX TRACLAG 10X1500X50000 CL
958082	TRELLEX TRACLAG 10X2000X50000 CL
MM0393132	TRELLEX TRACLAG STRIP 12X200 CL



Trellex Griplag

(not suitable for reversible belts)

A quality-engineered Trellex T60 pulley lagging system with a surface pattern of conical rubber knobs. The simple fastening system on this product means you can replace the pulley lagging without even having to remove the belt or pulley – thus saving both time and money.

Material properties

The design of the fastening system combined with the material's surface pattern permit the Trellex T60 rubber pulley lagging to stretch. This gives it a superior ability to handle internal wear (see above). The pattern also naturally eliminates water from the surface of the material as the pulley rotates.

Special features

The Trellex Griplag pulley lagging system was first invented by Metso almost 40 years ago and is still one of our best-selling products in this category. Metso sets the standard and still offers the most reliable ways to handle internal wear and protect your belt.

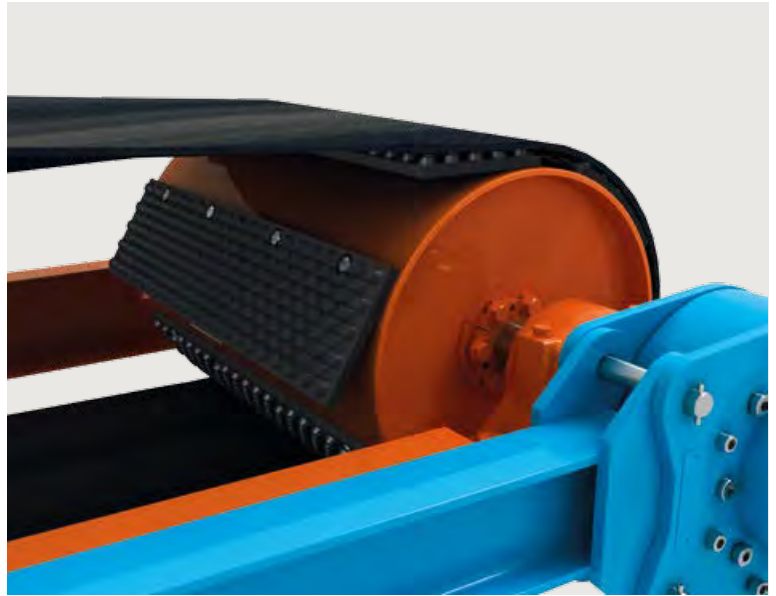
Fastened to the pulley on just one side (no glue needed), the pulley lagging is designed to flap freely up and down as the pulley rotates, easily shaking off any dirt from the surface. It also helps that the rubber material is naturally flexible.

Technical description

Material: Wear rubber 60 Shore A

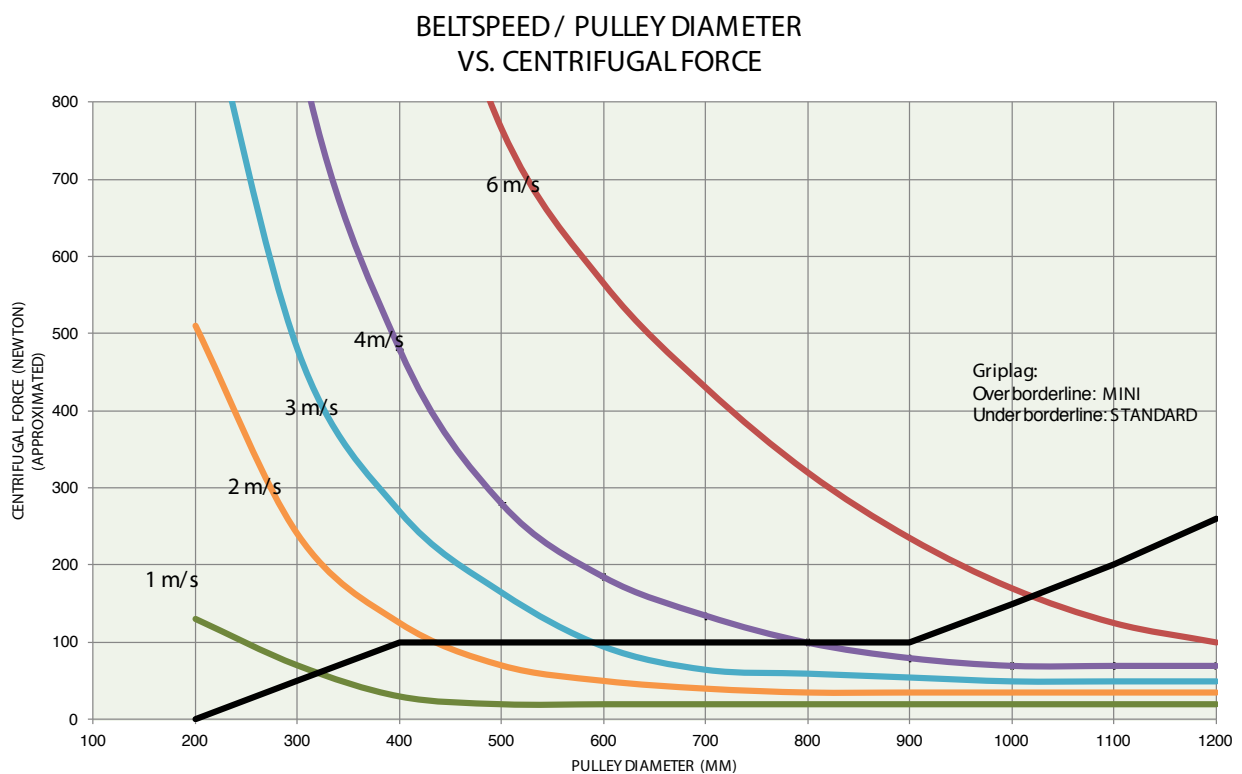
Fastening rail: S235JRG2

Screw: M6SF-TT 10 x 20 mm



Standard or Mini selection guide

- You need to know the pulley diameter and the belt speed
- Find the point where the belt speed curve crosses the line for the pulley diameter
- If this point is above the black line then Griplag Mini must be used
- Under the black line Griplag Standard can also be used





Trellex Griplag

(not suitable for reversible belts)

Continued from previous page

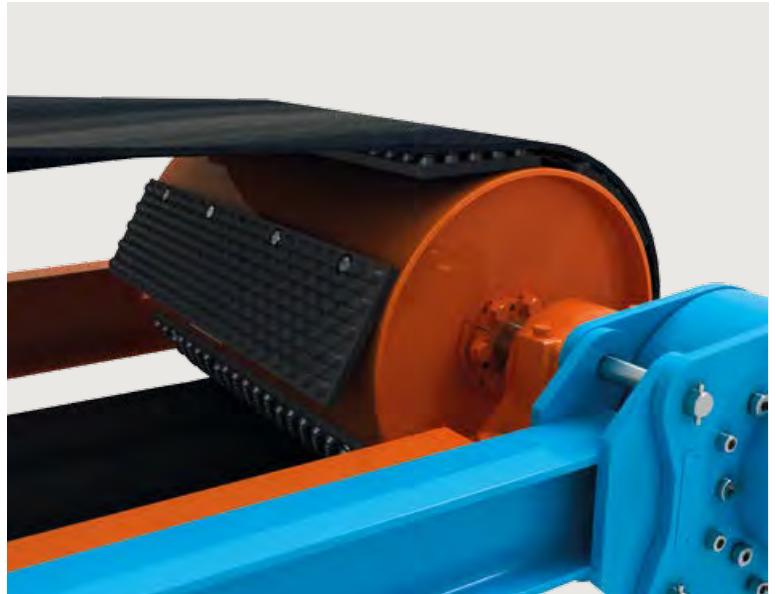
Part No.	Description	Weight (kg)	Dimensions (mm)
2062270	TRELLEX GRIPLAG 18X150X1200 MINI	4.4	18X150X1200
958066	TRELLEX GRIPLAG 18X300X1200	7.3	8X300X1200
2321420	TRELLEX GRIPLAG 22X150X1200 MINI GIANT	4.7	22X150X1200
1804160	TRELLEX GRIPLAG 22X300X1200 GIANT	7.9	22X300X1200
432062270	TRELLEX GRIPLAG 18X300X1200 MINI W/ SCREWS		18X300X1200
430958066	TRELLEX GRIPLAG 18X300X1200 W/ SCREWS		18X300X1200
432321420	TRELLEX GRIPLAG 22X150X1200 MINI GIANT W/ SCREWS		22X150X1200
431804160	TRELLEX GRIPLAG 22X300X1200 GIANT W/ SCREWS		22X300X1200

Technical description

Material: Wear rubber 60 Shore A

Fastening rail: S235JRG2

Screw: M6SF-TT 10 x 20 mm

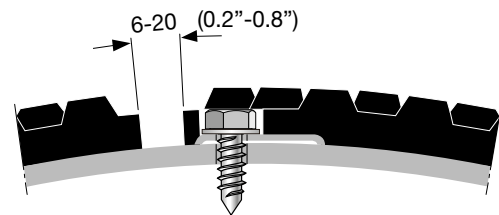


Standard: 1200 x 300 x 18 mm

A	B						
	800	1000	1200	1400	1600	1800	2000
	C/D	C/D	C/D	C/D	C/D	C/D	C/D
400	3/14	4/14	4/14	5/14	6/14	6/14	8/14
500	4/14	5/14	5/14	6/14	7/14	8/14	10/14
700	5/14	7/14	7/14	9/14	10/14	11/14	14/14
800	6/14	8/14	8/14	10/14	11/14	12/14	16/14
1000	7/14	10/14	10/14	12/14	14/14	15/14	20/14
1200	8/14	12/14	12/14	14/14	16/14	18/14	24/14
1500	10/14	15/14	15/14	18/14	20/14	23/14	30/14
1600	11/14	16/14	16/14	19/14	22/14	24/14	32/14

Mini: 1200 x 150 x 18 mm

A	B						
	800	1000	1200	1400	1600	1800	2000
	C/D	C/D	C/D	C/D	C/D	C/D	C/D
200	3/7	4/7	4/7	5/7	6/7	6/7	8/7
250	4/7	5/7	5/7	6/7	7/7	8/7	10/7
300	4/7	6/7	6/7	7/7	8/7	9/7	12/7
315	4/15	6/15	6/15	7/15	8/15	9/15	12/15
400	6/7	8/7	8/7	10/7	11/7	12/7	16/7
500	7/7	10/7	10/7	12/7	14/7	15/7	20/7
630	8/15	12/15	12/15	14/15	16/15	18/15	24/15
700	10/7	14/7	14/7	17/7	19/7	21/7	28/7
800	11/7	16/7	16/7	19/7	22/7	24/7	32/7
1000	14/7	20/7	20/7	24/7	27/7	30/7	40/7
1200	16/7	24/7	24/7	28/7	32/7	36/7	48/7
1250	17/7	25/7	25/7	30/7	34/7	38/7	50/7
1500	20/7	30/7	30/7	35/7	40/7	45/7	60/7



A = Diameter of drive pulley
 B = Width of drive pulley
 C/D = Number of lagging elements/spaces in mm



Trellex Pulley Bar

Our engineered Trellex T60 Pulley Bars with diamond surface pattern offer proven performance in heavy-duty applications.

Material properties

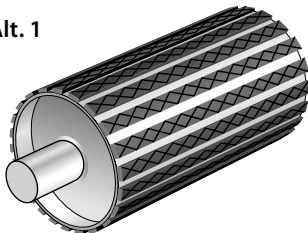
Made of hardwearing Trellex T60 moulded to an aluminium profile, this product has the perfect combination of elasticity and rigidity. Its elasticity enables it to handle the internal wear that typically occurs between the points where the belt meets and leaves the pulley. Its rigidity makes the product easy to work with. The surface pattern naturally eliminates water from the surface of the material as the pulley rotates.

Special features

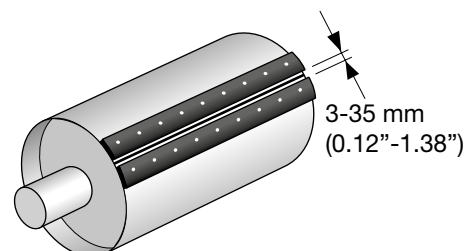
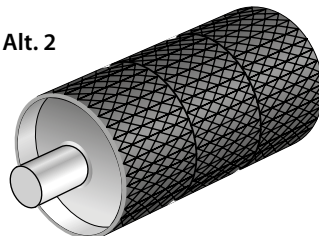
A simple fastening system (no glue needed) makes it easy to replace the pulley lagging when necessary. This feature saves both time and money, since there is no need to remove the belt or the pulley.

The Trellex T60 Pulley Bar was first invented by Metso over 30 years ago. Metso sets the standard and still offers the most reliable ways to handle internal wear and protect your belt.

Alt. 1



Alt. 2

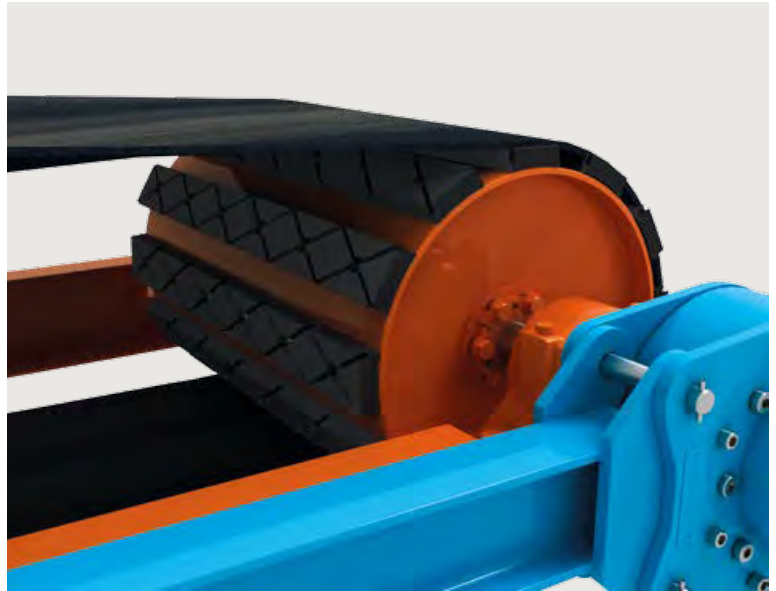


Technical description

Material: Wear rubber 60 Shore A

Fastening rail: Aluminium

Screw: M6SF-TTM x 25 mm



This table shows you the recommended number of bars to be used based on pulley diameter and belt speed.

Pulley diameter (mm)	Number of bars		
	Belt speed <1.5 m/s	Belt speed >1.5 m/s	
		Alt. 1	Alt. 2
300	11	11	12
400	12	14	16
500	15	17	21
600	18	20	25
630	19	21	26
700	21	23	29
800	24	26	33
900	27	30	38
1000	29	33	42
1100	32	36	46
1200	34	40	50
1250	36	41	53
1300	37	43	55
1400	40	46	59

This formula is used to determine if Trellex Pulley bars can be used.

$$F = \frac{P}{h \times D \times B}$$

P=power (kW)

h=belt speed (m/s)

D=pulley diameter (m)

B=pulley width (m)

F should not exceed 130.

Part No.	Description	Weight (kg)	Dimensions (mm)
958065	TRELLEX PULLEY BAR 22X70X1365	2.6	22X70X1365
430958065	TRELLEX PULLEY BAR 22X70X1365 W/ SCREWS		22X70X1365



Trellex Cerlag

Suitable for use in the very worst weather or working conditions, the Trellex Cerlag is our top-of-the-line pulley lagging system. It will never let you down.

Material properties

Made of Trellex T60 combined with high-quality (92%) aluminium oxide ceramics, the product also has a contact layer for easy adherence to the pulley. Aluminium oxide ceramic is an extremely hardwearing material, which helps to improve grip. However, if the inserts have sharp edges, they can cause damage to the belt. To avoid this, we have chosen to make our inserts circular, thereby eliminating sharp edges. So your belt is safe, and you still get all the benefits of the material's excellent grip and performance.

Special features

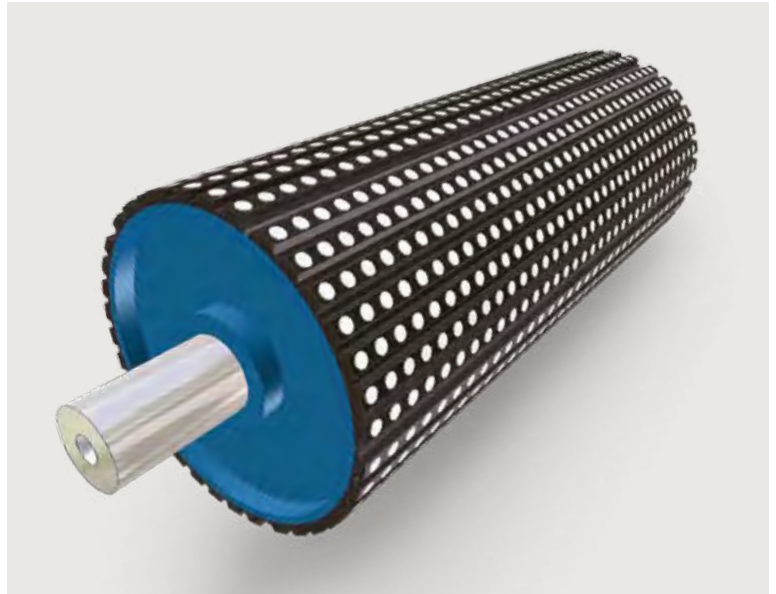
Delivered on a roll, the rubber/ceramic material can be cut to fit your exact pulley length. This reduces waste, since there are no offcuts, and gives good availability since you only need to keep one item in stock.

Technical description

Material: Wear Rubber 60 Shore A

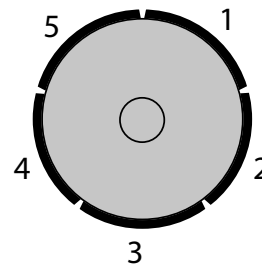
Round ceramic tiles 90% AL_2O_3

Installation: By cold gluing



Diameter	Circumference	No. of rows required
300	942	4
400	1257	5
500	1571	7
600	1885	8
700	2199	9
800	2513	10
900	2827	12
1000	3142	13
1100	3456	14
1200	3770	15
1400	4398	18
1600	5027	20
1800	5655	23
2000	6283	25

Example Ø 400 mm



5.0 pcs. Cer-Lag

Part No.	Description	Weight (kg)	UoM
6680149	TRELLEX CERLAG 10X250X1600	5,1	EA
6660541	TRELLEX CERLAG 16X250X1600	6,9	EA
MM0354797	TRELLEX CERLAG 12X250X10000 CL	30,5	M
MM0348645	TRELLEX CERLAG 16X250X10000 CL	41	M

Health, safety and environment

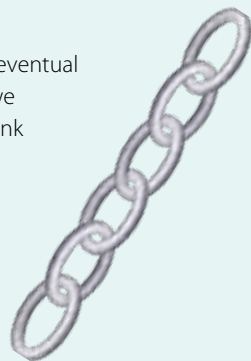
Health, safety and environmental protection are top priorities in every workplace today. However, they occupy an especially critical position in mining and aggregates, where our conveyor solutions are generally used. These industries are especially impactful on the landscape. They are heavily regulated. Risks are significant and diverse, from heavy loads and heights to the presence of explosives and potentially hazardous equipment. Everyone has to be extra-careful.

Thanks to many years' experience in the field, we know what it takes to operate safely and cleanly in mining and aggregates. As a Metso customer, we can help you leverage the latest technologies and foster the necessary mindset to optimise your performance in health, safety and the environment.

Our approach...

Value chain thinking

From design to installation, use and eventual retirement of equipment, at Metso we strive to minimise the risks in every link of the value chain – risks not only to people, but also to the environment.



Personal responsibility

Safety features can be built into your equipment, but they're actually a key part of everyone's job. We therefore emphasise the central importance of everyone's personal responsibility for their own safety and the safety of others.



All incidents can be avoided

Incidents only occur when a tool is not used properly, a procedure is not followed, or a safety device is missing or out of order. With proper implementation of the tools, procedures and safety devices we provide, such incidents can be avoided.



ONE safety standard

At Metso, we apply the same strict safety standards, to our employees, suppliers, customers and other partners. There are no exceptions.



We can help you leverage the latest technologies and foster the necessary mindset to optimise your performance in health, safety and the environment.

... your advantage

Safety-enhancing solutions

Our product lines include numerous safety-enhancing solutions to help you create a clean, quiet and secure environment for your workers. Employees work more efficiently when they are confident in their own safety. Special, safety-oriented Metso products like the HiSafe range contribute even more to productivity, improving your bottom line as well as enhancing workplace safety.

Waste

Any form of waste costs money, whether it's manufacturing scrap, lost time or waste minerals in a mine or quarry. Over time, it costs much more than is commonly realised. At Metso, we make it our business to eliminate these unnecessary costs.

Energy consumption

Most Metso conveyor solutions are used in energy-intensive industries. A focus area for product development is to incrementally reduce the energy consumption in our systems. This contributes to a reduction in environmental impacts, and at the same time increases the economic stability of your business.



Accessories

Belt Cleaning Systems	16
Belt Guiding Systems	66
Loading Systems	72
Sealing Systems	90
Pulley Lagging Systems	100
HiSafe System	116
Adhesives	122



HiSafe Systems

Due to the constant proximity of large machinery with moving mechanical parts, safety is a key concern on any site. All Metso products are therefore designed for safe use, to protect your operators, the environment and your business. Sealing systems protect operators from inhaling dust, cleaners are made of safe MDI polyurethane and exposed springs are encapsulated – to name just a few examples.

Our HiSafe range was developed to serve a very specific purpose. That is, to provide hand and finger protection at the crucial 'pinch points' where the belt meets the pulley, and so keep LTIF down to a minimum. HiSafe products also prevent material becoming trapped in the gap between the belt and pulley, thus preventing costly equipment damage and unnecessary downtime.

It is also worth noting that much of the equipment installed in plants around the world is now 20-30 years old. It was not originally designed with safety as a priority. With the addition of HiSafe systems, such equipment can be brought up to a more modern standard.

Metso HiSafe Head Pulley Guard 117

Metso HiSafe End Pulley Guard 119



Metso HiSafe Head Pulley Guard

At the point where the belt meets the roller, there is always a risk of operators or anyone else in the area accidentally getting their fingers or clothes trapped, and potentially suffering serious injuries. Although unlikely, it is also possible that a rock or stone can fall and become trapped between the belt and pulley, causing serious damage to both. Both these issues can be avoided quite simply, by blocking the danger zone with a polyurethane foam barrier, or head pulley guard. Positioned with a 5 mm gap on either side, the guard is not in contact with the belt, but the remaining gap is too small for fingers to get trapped.

Material properties

Made of polyurethane foam, the guard is gentle on the belt in the event of contact. Polyurethane is more suitable than rubber for this purpose, since it is low friction and therefore does not generate the kind of heat that would wear the belt out over time.

Special features

Available for different belt widths, this is a standard item and therefore always available in stock. It is easy and convenient to install and can be adapted to fit different pulley lengths or site-specific conditions. What's more, it does not need to be removed during normal conveyor maintenance, which saves time and effort.

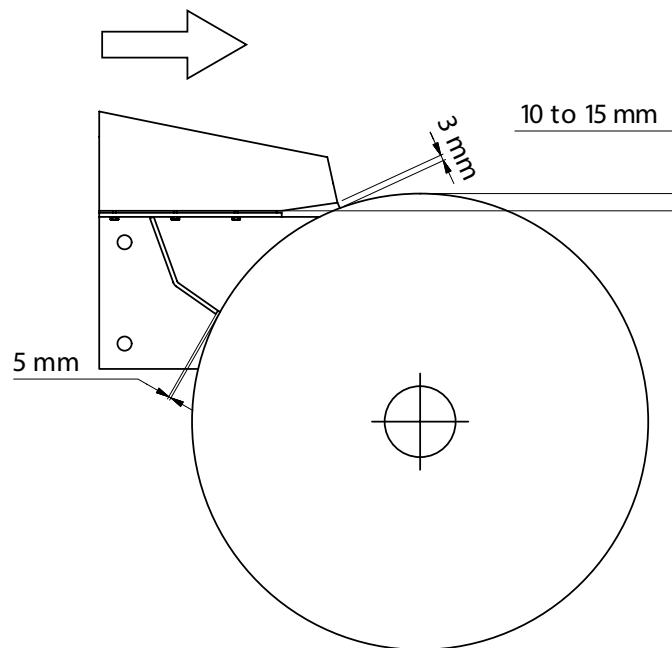
Technical description

Material: Polyurethane blocks

Belt width: 500-1400 mm

Head pulley diameter: < 650 mm

If >650 mm, please contact Metso



Part No. Complete set	Description	Belt width A
MM0370727	Metso Head Pulley Guard Set BW500	500
MM0370728	Metso Head Pulley Guard Set BW650	650
MM0370730	Metso Head Pulley Guard Set BW800	800
MM0370731	Metso Head Pulley Guard Set BW1000	1000
MM0370732	Metso Head Pulley Guard Set BW1200	1200
MM0370733	Metso Head Pulley Guard Set BW1400	1400
MM037035	Metso Head Pulley Guard Spares	-



Metso HiSafe End Pulley Guard

At the point where the belt meets the tail pulley, there is always a risk of operators or anyone else in the area accidentally getting their fingers or clothes trapped, and potentially suffering serious injuries. It is also possible that stones and debris can become wedged between the belt and pulley, causing serious damage to both. These issues can be avoided quite simply, by blocking the danger zone with a V-shaped polyethylene barrier, or Tail Pulley Guard (TPG).

Material properties

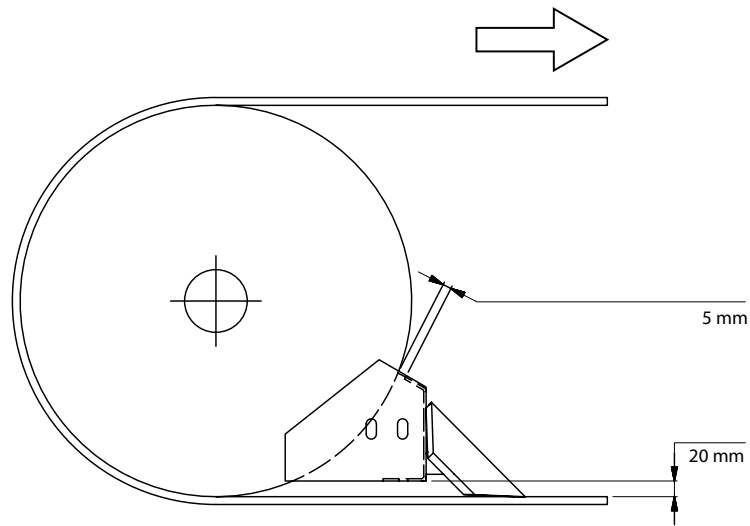
The guard is in contact with the belt, but being made of low friction polyethylene, it doesn't generate heat and is therefore gentle on the belt.

Special features

Although its primary purpose is to prevent operators' fingers getting injured, the V-shaped TPG also deflects stones like a material plough. It thus extends belt lifespan and minimises the risk of costly downtime. Available for different belt widths, this is a standard item and therefore always available in stock. It is easy and convenient to install and can be adapted to fit different pulley lengths or site specific conditions.

Technical description

Material: Steel and polyethylene
Belt width: 500 - 1200 mm



Part No. Complete set	Description	Belt width (mm)
MM0370738	END PULLEY GUARD SET BW500	500
MM0370739	END PULLEY GUARD SET BW650	650
MM0370740	END PULLEY GUARD SET BW800	800
MM0370741	END PULLEY GUARD SET BW1000	1000
MM0370742	END PULLEY GUARD SET BW1200	1200
	END PULLEY GUARD SET SPARE DEF BW500	500
	END PULLEY GUARD SET SPARE DEF BW650	650
	END PULLEY GUARD SET SPARE DEF BW800	800
	END PULLEY GUARD SET SPARE DEF BW1000	1000
	END PULLEY GUARD SET SPARE DEF BW1200	1200

Accessories



Belt Cleaning Systems	16
Belt Guiding Systems	66
Loading Systems	72
Sealing Systems	90
Pulley Lagging Systems	100
HiSafe System	116
Adhesives	122



Adhesives

Our goal is to help customers protect their expensive conveying equipment and extend its service life. Metso adhesive systems – consisting of primer and glue, contribute to this ambition by making it possible to securely line vulnerable steel or rubber surfaces with an additional layer of protective rubber.

Trellex Greenbond	123
Trellex Steelprimer P5	125



Trellex Greenbond

Greenbond is a strong, reliable adhesive for gluing rubber to steel or rubber to rubber. When attaching pulley lagging, for example, it is important to have a secure bond between the two materials. Similarly, when you splice a conveyor belt, the splice must be strong and reliable to enable smooth-running, problem-free production.

Material properties

Greenbond gives a strong bond between any rubber and steel surfaces or even two rubber surfaces. When rubber is glued down with Greenbond, it adheres tightly to the contact surface, thereby minimising damage to your capital equipment.

Special features

Greenbond is free from trichloroethylene and its associated health risks.

Technical description

Material: Polychloroprene rubber

Solvents: Ethyl acetate/naphtha/acetone

Density: 0.8g /cm³

Colour: Black

Pot life: Approx. 3-5 hours

Consumption: 0.35 l/m²

Shelf life: 18 months at room temperature, after date of production



Application

- Rubber to rubber
- Rubber to metal
- Cold-repairing fabric ply or steel cord belts
- Cold-splicing fabric ply belts

Practical tips for use

- To avoid crystallisation of the chloroprene in the rubber compound, be sure to store the solution above 6 °C. It is also important to warm up the Trellex Greenbond to room temperature before using it in order to maximise bond strength.
- We recommend you wait at least 24 hours before restarting your conveyor since that is when full bond strength is reached.
- The drying time varies according to factors such as humidity and air temperature.
- Trellex Greenbond is highly flammable and must not be used underground or in closed spaces.
- Trellex Greenbond can also be used with grease- and heat-resistant belts.

Part No.	Description	Weight (kg)
2322040	Trellex Adhesives Greenbond (0.8 l) incl. hardener	0.7



Trellex Steelprimer P5

Trellex Steelprimer P5 is to be used between rubber and metal before cold-bonding. Trellex Steelprimer P5 improves the adhesion between rubber and metal and also protects the metal surface from rust.

Material properties

To get a good bonding surface, there is no substitute for this tried and tested steel primer. P5 was developed to work optimally with Greenbond adhesive. When the two products are used together the result is a bond with the absolute maximum strength.

Technical description

Density: 0.85 g/cm³

Colour: Black

Consumption: 0.20 l/m²



Application

- Rubber to metal

Practical tips for use

- Trellex Steelprimer is highly flammable and must not be used underground or in closed spaces.
- The steel surface can be prepared (sandblasted, cleansed and primed) in advance as long as it is protected from dust and dirt while waiting to be glued.

Part No.	Description	Weight (kg)
2322060	Trellex Adhesives Steelprimer P5 (0.75 l)	0.7

Regardless of the conditions, our conveyor belts keep your material moving





Conveyor Belts

When it comes to conveyor belts there is no room for compromise. The belt is at the heart of your operations and the key to its profitability.

Conveyor Belts:

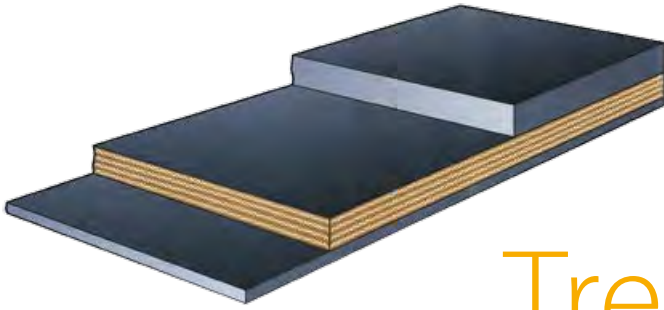
Trellex Textile Belts	131
Trellex Flexopipe	133
Trellex Steelcord Belts	135

Conveyor Belts

Metso offers a comprehensive range of conveyor belts and a choice of cover grades. They are engineered from the best-quality materials available and designed for high performance, cost-effectiveness and safety. However, the biggest advantage for our customers lies not in the belts themselves, but in our application knowhow. When you choose Metso as your supplier, you buy into more than 100 years of experience of designing and delivering conveying solutions for almost any conceivable application and in any configuration.

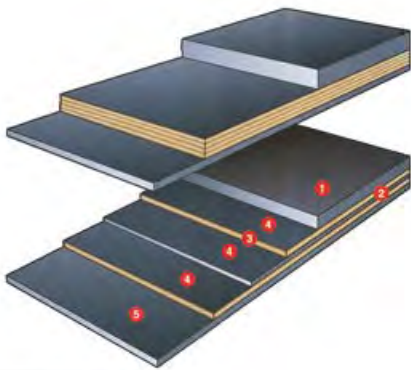
Once we know the parameters for your operation such as conveying capacity, lump size, etc., we can tailor a solution based on your total conveyor needs. It is a single solution from a single supplier to ensure that all the parts fit together safely and perform together optimally. That's what makes Metso and the brand name Trellex the most trusted in conveyors the world over.





Trellex Textile Belts

Used principally for heavy-duty, abrasive materials, textile belts are a more cost-effective option for shorter conveying distances and lower capacities than steel cord belts.



Structure

1. Top cover
2. Carcass
3. Textile reinforcement
4. Rubber skim coat
5. Bottom cover

Belt type	Cover thickness (mm)		Thickness (approx.) (mm)	Weight approx. (kg/m ²)	Belt width approx. (mm)
	Top	Bottom			
EP 160/2	2	1	4.6	5.6	300 - 1300
EP 200/2	2	1.5	5.6	6.4	300 - 1400
EP 250/2	3	1	6.3	7.7	400 - 1600
EP 250/2	3	1.5	6.8	8	400 - 1400
EP 315/2	4	1.5	7.9	9.4	500 - 1600
EP 315/3	3	1.5	7.3	8.2	800
EP 400/2	3	1	6.7	8.5	650 - 1600
EP 400/2	5	1.5	9.4	11.3	650 - 1600
EP 400/3	3	1	6.8	8.2	400 - 1000
EP 400/3	4	2	8.8	10.4	500 - 1200
EP 500/3	5	1.5	9.4	11.1	600 - 1600
EP 500/4	3	1	7.8	9.4	1000 - 1200
EP 500/4	4	2	9.8	11.6	1200 - 1400
EP 500/4	5	2	10.8	12.8	650 - 1000
EP 500/4	6	2	11.8	13.9	800
EP 630/4	5	2	11	13	2000 - 2400
EP 630/4	6	2	12	14.1	800 - 1200
EP 630/4	8	3	15	17.7	1000 - 1400
EP 630/5	5	1.5	11.3	13.5	800 - 1200
EP 800/5	6	2	12.8	16	1000 - 1200



Reinforcement properties

The belt comprises a number of layers of synthetic fabrics specially treated to ensure low elongation (1 to 3.5%) and good adhesion to rubber. The length wise threads (warp) are polyester while the cross wise ones (weft) are polyamide. This plain-woven combination ensures a high tensile strength-to-weight ratio, excellent flexibility and outstanding troughing properties, as well as high resistance to impact, and chemicals.

Other thread materials and different weaves are available on request.

Cover grades

Various cover grades can be supplied, and they are all made of high-quality rubber with extremely high resistance to abrasion, shearing and impact and excellent ageing properties. Your choice of cover grade depends on the intended application. Note that the working life of the belt is also determined by the application.

Wear resistant

Available in X, Y, W grades for heavy-wear conveying applications such as bulky, sharp materials like heavy, abrasive rocks. Can handle abrasion, wear, impact and other kinds of heavy-duty wear. High-quality cover grades are recommended to offer the best protection for the belt carcass.

Heat resistant

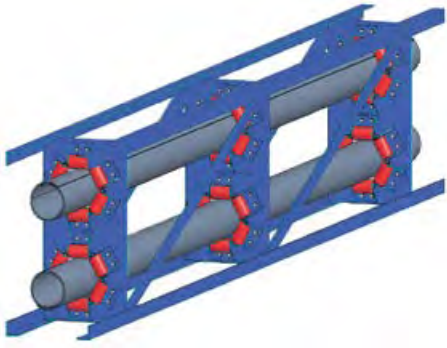
Different types of grades are available for high-temperature applications (T120 and T200) such as clinker, coke, foundry sand and slag. Can be used for transporting material at continuous temperatures of up to 190 °C, with peaks of up to 200 °C.

Flame resistant

Available in flame-resistant configuration to meet safety category EN 12882 for above-ground operations and EN14973 for underground applications.

Grade	ISO	DIN	Characteristics (example)
X	H	X	Wear-resistant, heavy-duty cover for sharp and lumpy material, or extreme drop heights
Y	L	Y	Wear-resistant cover for standard applications
AA, W	D	W	Wear-resistant cover, for fine and abrasive material
Y-30	D	Y, W	Extremely wear-resistant cover, for fine and abrasive material

Contact your Metso expert for more information and advice regarding the best choice of belt and cover grade for your operation.



Trellex FLEXOPIPE® Belts

Used for enclosed material transport. After loading in the conventionally troughed belt, the belt is formed into a pipe shape with overlapped belt edges. The material is then completely enclosed by the belt. A key advantage of Flexopipe Belts is their highly flexible design, which means they can be built to follow the contours of any landscape. Also, being spillage-free, they are ideal for transporting materials such as municipal waste, ash, limestone or shredded tyres, which might otherwise present an environmental hazard. As a rule of thumb, the size of lumps can be a third of the pipe diameter (i.e. from 150 mm to 550 mm).

Material properties

Made of high-tensile steel cords or textile reinforcements depending on the application, and available in various cover grades. Your choice of cover grade depends on the intended application. Note that the working life of the belt is also determined by the application.

Enclosed transport of hot material does not allow heat exchange to the atmosphere, therefore material temperatures must be lower than in conventional installations.

Special features

A Flexopipe belt enables a more flexible design than traditional types of conveyor belts. Various configurations (convex and concave curves, vertical lifts, etc.) help reduce the number of transfer points leading to smooth treatment of the material and a reduction in installation and operating costs.

This method of conveying contributes to safe, clean and spillage-free material transport, which helps protect the environment and keep maintenance costs low. It also protects your material from external conditions such as snow, rain, wind and dust.



Characteristics of the system

Flexible and adaptive conveyor configuration

Closed belt

Horizontal and vertical curves

High dynamic stress

Suitable for all bulk materials

Requirement for the belt

- Individual belt design for every application
- Wide selection of reinforcement types

- Sufficient troughability to fit into hexagon
- Tight overlapping

- Sufficiently elastic reinforcement
- Stable pipe shape

- Fatigue-resistant belt

- Broad selection of cover grades

Flexopipe® solution

- Tailor-made belt construction with specially developed reinforcements and rubber compounds
- Belt types: Steelcord, Aramid, EP, P

- Unique carcass design with tailored rigidity, more flexible at belt edges to ensure tight overlapping

- Reinforcement with higher lengthwise elasticity for installation with tight curves
- Sufficient crossrigidity to maintain pipe cross-section

- Rubber compounds with excellent dynamic properties and improved ozone/UV resistance

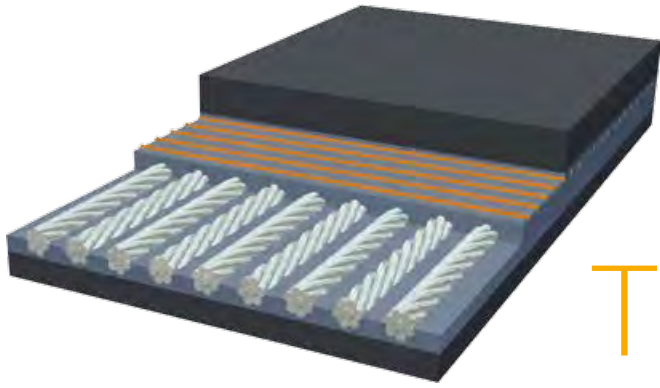
- Complete range of cover grades: anti-abrasive, heat-, oil-, grease- and flame-resistant, food (FDA), etc.

Cover grades

Grade	ISO	DIN	Characteristics (examples)	Applications (examples)	Elastomer	Temperature (material) °C		
						min.	max.	peak
XP	H	X	Wear-resistant, heavy-duty cover for sharp and lumpy material, or extreme drop heights	Ore, rock, limestone	NR / BR	-40	50	
YP	L	Y	Wear-resistant cover for standard application	Coal, gravel, sand, fertiliser, limestone	SBR	-30	50	
Y-30	D	Y, W	Extremely wear-resistant cover, for fine and abrasive material	Cement, gypsum, abrasive sands	NR / BR	-30	50	
TXT	L	T, Y	Wear- and heat resistant cover for coarse material	Cast iron, coke	SBR	-15	100	130
RET		T, C	Wear-resistant cover with excellent heat resistance	Cement, clinker, ash	EPM	-30	150	170
GPP		G	Oil- and grease-resistant cover	Wood chips, grain	NBR / SBR	-25	50	
SP100		S, Y	Flame-resistant and anti-abrasive acc. to ISO 340	Coal, coke, fertiliser	SBR	-25	50	
GAK		G, A, K	Grease- and flame-resistant cover, white, for food (FDA)	Sugar, paper, grain, flour, malt	NBR	-15	60	

All covers are antistatic

Contact your Metso expert for more information and advice regarding the best choice of belt and cover grade for your operation.



Trellex Steelcord Belts

FLEXOCORD®

These highly wear-resistant conveyor belts are used principally for long-haul conveying, heavy loads and physically demanding applications. In other words, they are suitable for high-mass or high-volume flows and for abrasive materials.

Reinforcement properties

Made of high-tensile steel cords and various cover grades (see below). A typical carcass with 7 x 7 hot-galvanised steel cords provides a tensile strength of up to 2,000 N/mm.

Also available as 7 x 19 for higher tensile strength (6,300 N/mm). Standard cords have an elongation of 0.22 - 0.28%. High structural strength and pull-out strength ensure good resistance against fatigue. The open cross-lay design of the cords and the chemical adhesive system ensure that the core rubber penetrates thoroughly, bonds well and protects against corrosion for long-term integrity.

Specification		St 500	St 630	St 800	St 1000	St 1250	St 1400	St 1600	St 1800	St 2000	St 2250
Operating tension	N/mm	75	90	110	140	175	200	225	255	285	320
Cord diameter standard	mm	2.7	2.8	3.1	3.7	4.2	4.4	4.7	5.1	5.5	5.7
Cord diameter max.	mm	3.0	3.0	3.5	4.0	4.5	4.8	5.0	5.5	6.0	6.2
Cord strength, min.	kN	6.9	6.9	8.8	13.2	16.5	18.5	21.1	24.2	26.4	30.0
Cord pitch	mm	12.0	10.0	10.0	12.0	12.0	12.0	12.0	12.0	12.0	12.0
Minimum cover thickness	mm	4/4	4/4	4/4	5/5	5/5	6/6	8/6	8/6	8/6	8/6
Belt weight, min. covers	kg/m ²	15.7	16.5	17.6	21.6	23.0	25.2	29.0	30.2	31.5	32.3

Specification		St 2500	St 2800	St 3150	St 3500	St 4000	St 4500	St 5000	St 5400	St 5800	St 6300	St 6700
Operating tension	N/mm	355	400	450	500	570	645	715	760	830	900	950
Cord diameter standard	mm	6.8	7.3	7.6	8.0	8.6	9.1	10.5	10.8	11.5	12.0	12.7
Cord diameter max.	mm	7.2	7.8	8.1	8.6	8.9	9.7	10.9	11.3	11.8	12.3	13.0
Cord strength, min.	kN	41.2	46.0	51.9	57.1	66.0	79.2	93.5	101.0	109.0	118.0	133.0
Cord pitch	mm	15.0	15.0	15.0	15.0	15.0	16.0	17.0	17.0	17.0	17.0	18.0
Minimum cover thickness	mm	8/6	8/6	8/8	8/8	8/8	8/8	8.5/8.5	9/9	10/10	12/10	12/10
Belt weight, min. covers	kg/m ²	33.9	36.0	39.8	41.8	45.5	46.7	54.0	55.7	62.2	67.5	70.6



Cover grades

The belts come with various cover grades, all made of high-quality rubber with extremely high resistance to abrasion, cutting and impact and with excellent ageing properties. The choice of cover grade will depend on the application and will also determine the working life of the belt.

• Wear-resistant

Available in X, Y, W grades for heavy-wear conveying applications such as bulky, sharp materials like heavy, abrasive rocks. High-quality cover grades are recommended to offer the best protection to the belt carcass.

• Heat-resistant

For high-temperature applications (T120) such as clinker, coke, foundry sand and slag. Can be used for transport of material at continuous temperatures of up to 120 °C.

• Flame-resistant

Available in flame-resistant grade K to comply with ISO 340. Can be used in tunnel projects but not underground applications.

Contact your Metso expert for more information and advice regarding the best choice of belt and cover grade for your operation.

Grade	Tensile strength min. N/mm	Elongation at break min. %	Abrasion max. mm ³	Characteristics and applications
Wear-resistant				
X	25	450	120	Heavy-duty cover for coarse and sharp material Resistant against impacts and cuts. Complies with: X (DIN), RMA1, H (ISO), M (AS), M24 (BS)
Y	20	400	150	Wear-resistant cover for normal operating conditions Complies with: Y (DIN), RMA 1&2, L (ISO), N (AS), N17 (BS)
W	18	400	90	Cover with excellent resistance against erosive wear For small-sized, abrasive material Complies with: W (DIN), RMA 1&2, D (ISO)
Flame-resistant				
K	20	400	200	Abrasion-resistant cover with flame-resistant characteristics according to ISO 340
VT	17	350	175	Cover with fire-resistant properties according to DIN
Heat-resistant				
T120	15	400	175	Heat-resistant, abrasion-resistant cover for temperatures up to 120 °C

Contact your Metso expert for more information and advice regarding the best choice of belt and cover grade for your operation.



Most dependable
idlers in the
industry



Conveyor Components

Metso's components offer is built around the reputable Stephens Adamson brand, which has helped move bulk materials since 1901. Our application experience is second to none and has been proven time and again in all types of environments from salt to potash and from iron ore to gold.

Conveyor Components:

Idlers	141
Pulleys	145

Conveyor Components

What sets us apart is our ability to provide a solution that meets your needs, along with quality products that have been tried and tested in almost every imaginable application.

We pride ourselves on making sure you get just the right solution for the job – a prerequisite for any sustainable solution.

Thanks to a well-developed supply chain, Metso is able to offer a full range of conveyor components capable of meeting all national or regional standards. Whether you need products that comply with CEMA, DIN, ISO, SANS, KS or other industry standards, talk to us.





Idlers

Idlers are vital to the conveying process. They support the belt and conveyed material along its full length preventing it from stretching, sagging and eventually failing. They typically comprise a steel frame and 1 to 5 rolls, depending on application. There are two main categories: carrying idlers and return idlers. Carrying idlers (sometimes also called trough idlers) support the belt that carries the material, while return idlers are designed to support the empty belt. Each of these categories has several sub-categories.



Carrying idlers

Carrying idlers generally consist of a welded steel frame with three equal-sized rolls (one centre and two concentrator or wing rolls). Normally, there are two at each end of the conveyor. Sub-categories include:

Troughing idlers, standard

These idlers generally consist of three steel rolls with the concentrator roll tilted at a fixed angle of 20, 35 or 45°. The idlers are fixed to the conveyor frame and normally spaced at 1,2 m [4 ft] intervals.



Training idlers

These are placed strategically along the conveyor to keep the belt running straight and on centre. Belt training (tracking) is vital to reduce spillage and damage to the belt and related structures.



Impact idlers (both troughing and flat)

These are used in the loading zone of the conveyor and act as a cushion to prevent belt damage. They comprise three equal-sized rolls with rubber tyres to absorb impact and are spaced at 0,305 m [1 ft] intervals.



Offset idlers

These are often used for conveying grain, but also suitable for underground mining applications where height clearance is minimal. In contrast to the inline idlers described above, these idlers have an offset centre roll. The rolls staggered position supports a broader section of the belt and prevents spillage.



Transition idlers

These idlers enable the belt to transition from a flat profile to a full trough profile at the head and tail ends of the conveyor. They consist of a single fixed centre roll and two concentrator rolls with inclines adjustable from 0° to 35°.

Flat standard idlers

These idlers consist of a single roll placed between two brackets, fixed to the conveyor structure. They are generally located under feeders or in applications where material is picked off the belt manually. As with the standard troughing idlers, these are spaced at 1,2 m [4 ft] intervals.





Idlers

Continued from previous page

Return idlers

Return idlers are used to support the return run of the belt and are available with steel or rubber disc rolls. Sub-categories include:

Standard flat

Standard flat idlers consist of a single steel roll mounted on brackets. As there is no material load on the return side, the idlers can be spaced farther apart, at 3 m [10 ft] intervals.



V return idlers

These idlers consist of two rolls in a v-shaped profile of either 10° or 15°. They are used in applications where high-tension fabric or steel cable belts are used. Their higher load rating enables wider spacing.



Flat rubber disc

These idlers are similar to standard return idlers but they have rubber as opposed to steel disc rolls. These help prevent material sticking to the belt, making them good for applications where sticky material is being transported.



Other models

Metso also offers other types of idlers such as garland (catenary), scale quality, live shafts and picking table.

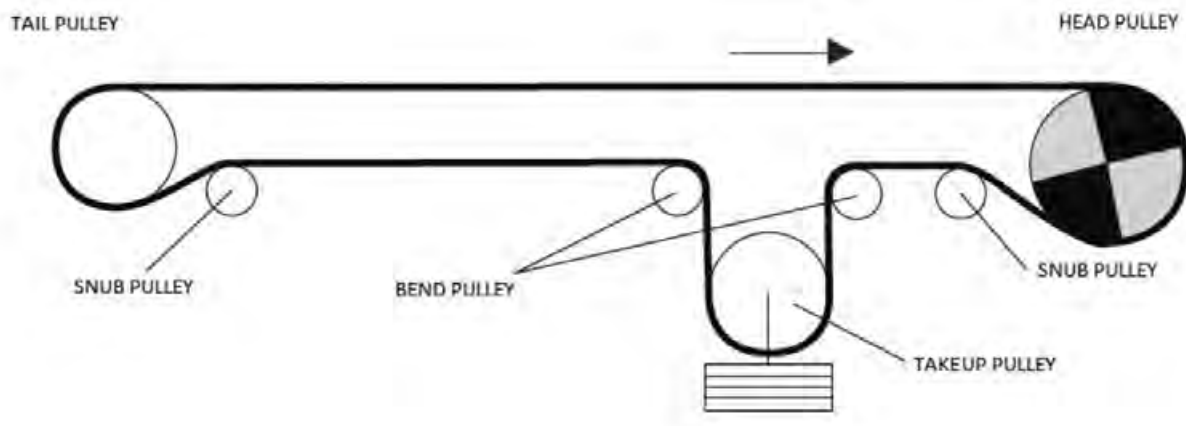


WSOX

WSOX
804864

Pulleys

A conveyor will always consist of at least two pulleys (head and tail) with additional pulleys used depending on the configuration. Standard-duty pulleys are usually adequate for simple applications, but mine-duty and engineered pulleys are also available where heavy-duty pulleys are required.



Pulleys

Pulleys are divided into the following sub-categories:

Head pulleys

The head pulley is located at the discharge point of the conveyor. It usually drives the conveyor and often has a larger diameter than other pulleys. It is usually lagged (with either rubber or ceramic lagging material) for better traction.

Drive pulleys

Drive pulleys, which can also be the head pulley, are driven by a motor and power transmission unit to propel the belt and material to the discharge.

Tail and wing pulleys

The tail pulley is located at the loading end of the belt. It comes with either a flat face or a slatted profile (wing pulley), which cleans the belt by allowing material to fall between the support members.

Bend pulleys

A bend pulley is used for changing the direction of the belt.

Snub pulleys

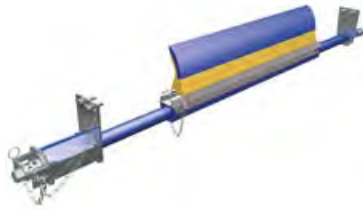
A snub pulley improves the traction of the drive pulley, by increasing its belt wrap angle.

Takeup pulley

A takeup pulley is used to provide the belt with the proper amount of tension. Its position is adjustable.

Questionnaires

We want to make sure all Metso representatives can provide customers with the swift, accurate proposals. No time wasted! In order to do this, we first need to gather some basic information about the customer's application. The eight questionnaires in the following section are designed for this purpose. They help speed up the process from first conversation to agreed proposal to actual delivery of the best, most suitable conveying solution on the market. Typical questions include: What kind of material is being conveyed? How far? And from what drop height? Simple, but important stuff. Armed with the responses to these questions, our sales force can put together a suggestion that fits the bill, and get it right first time.



Conveyor Accessories

Questionnaire - Trellex Belt Cleaning Systems

The information in orange is mandatory.

Conveyor No. or name:

Installation date:

Customer:

City:

Country:

Contact person:

Sales person:

Quantity:

Cleaner type:

Primary

Secondary

Primary & Secondary

Belt type:

Belt splice:

C = Cold-vulcanised

H = Hot-vulcanised

M = Mechanical

Height of splice above belt (mm):

Condition of the belt:

N = New belt

U = Used belt

W = Worn belt

Belt thickness (mm):

Belt width (mm):

Belt length c/c (m):

Belt speed (m/s):

Capacity (tph):

Material type:

Material width on belt (mm):

Material temperature:

Humidity (%):

Material size:

Ambient temperature:

Head pulley diameter (mm):

Pulley lagging thickness (mm):

Current belt cleaner:

Current belt cleaner performance:

Comments:

Photos/Drawings

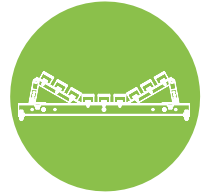
Please attach a photo of the installation if possible.



Conveyor Accessories

Questionnaire - Trellex Impact Systems

(All data required for TIC – Trellex Impact Calculator)



Project name/number:

Installation date:

Customer:

Country:

City:

Contact person:

Sales person:

Application data – **Mandatory!**

Existing/new:

Existing idler diameter (mm):

Belt width (mm):

Belt speed (m/s):

Length of impact zone (m):

Material flow (TPH):

Maximum drop height (m):

Basis of calculation – **Mandatory!**

Max lump weight (kg):

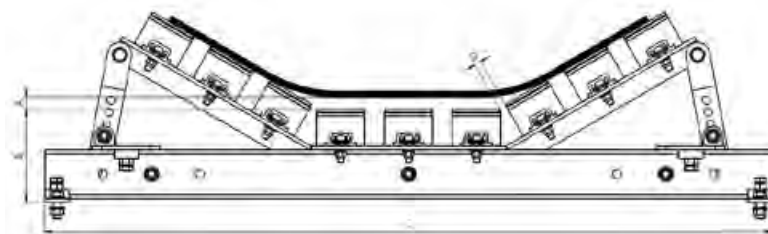
or

Material density (kg/m³):

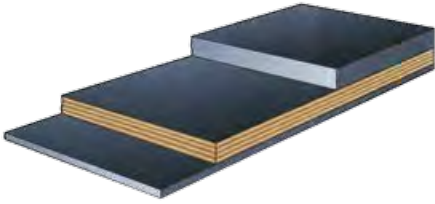
and

Largest lump size (mm³):

Length (mm):	Width (mm):	Height..... (mm):



Description	Distance between bars in the centre and normal unloaded line of the belt A (mm)	Backing height B (mm)	Max width C BW500-1000 (mm)	Max width C BW1200-1600 (mm)	Max width C BW1800-2000 (mm)	D (mm)
TRELLEX IMPACT CRADLE LIGHT (L)	25	142	1500	2000	2500	10
TRELLEX IMPACT CRADLE MEDIUM (M)	25	191	1500	2000	2500	10
TRELLEX IMPACT CRADLE HEAVY (H)	25	231	1500	2000	2500	10



Conveyor Belt

Questionnaire - Troughed Belt Conveyors

The information in orange is mandatory.

Conveyor No. or name:

Project:

Customer:

CONVEYOR DATA

Conveyor capacity (t/h):

Centre distance (m):

Lift height (m or °):

Belt width (mm):

Speed (m/s):

Operating time (h/d):

Ambient temperature (°C):

DRIVE

Position/number:

Motor power (kW):

Wrap angle (°):

Pulley lagging:

Torque-reduction device:
(e.g. liquid coupling,
frequency converter, etc.)

Starting/stopping time (s):

TAKEUP

Type (weight, screw...):

Position:

Gravity (t):

Takeup travel (m):

PULLEY DIAMETERS IN MM

Drive, head pulley:

Return, tail pulley:

Snub pulley:

Sketch (can also be attached):

Written by:

Date:

MATERIAL DATA

Material:

Bulk density (t/m³):

Temperature (°C):

Material size (mm):

Material characteristics:
(e.g. abrasive, chemically aggressive,
oily/greasy)

Drop height (m):

TROUGHING/IDLERS

Troughing angle (°):

Idler weight (kg):

Idler pitch (m):

Idler dia. (mm):

Transition distance (m):

BELT SPECIFICATIONS

Length (m):

Reinforcement type:

Tensile strength (N/mm):

Cover thicknesses (mm/mm):

Cover grade:

Special points:

Currently installed belt:

Additional remarks:

Carrying strand:

Return strand:

Carrying strand:

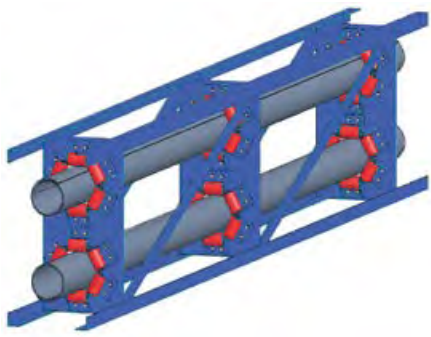
Return strand:

Carrying strand:

Return strand:

Head:

Tail:



Conveyor Belt

Questionnaire - Pipe Belt Conveyors

The information in orange is mandatory.

Conveyor No. or name:

Project:

Customer:

CONVEYOR DATA

Pipe diameter (mm):

Conveyor capacity (t/h):

Centre distance (m):

Lift height (m):

Max. inclination (°):

Speed (m/s):

Ambient temperature (°C):

DESCRIPTION OF CONVEYOR ROUTE

No. of deflections	Deflection angle	Radius

ADDITIONAL INFORMATION (IF AVAILABLE)

BELT TYPE

Belt width (mm):

Tensile strength (N/mm):

Cover grade:

Cover thicknesses (mm/mm):

DRIVE

Motor power (kW):

Pulley lagging:

Wrap angle (°):

Acceleration factor:

Written by:

Date:

MATERIAL DATA

Material:

Bulk density (t/m³):

Temperature (°C):

Material size (mm):

Material characteristics:
(e.g. abrasive, chemically aggressive, oily/greasy)

Drop height in m:

PULLEY DIAMETERS

Head pulley (mm):

Tail pulley (mm):

Snub pulley (mm):

DESIGN OF HEXAGON IDLERS

Dia. of idlers (mm):

Distance of idlers (in hexagon in mm):

Idler weight (kg):

Pitch of panels (m):

TAKE-UP

Position:

Type (weight, screw, etc.):

Takeup load (t):

Takeup length (m):

Additional remarks:

Sketch (can also be attached):





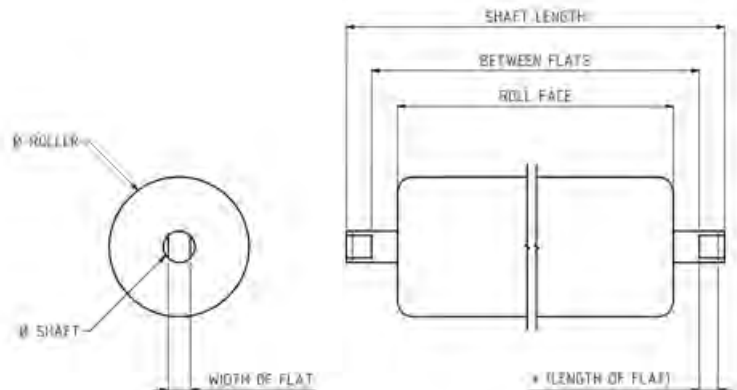
Conveyor Components

Questionnaire - Rollers

Roller	BW	Roller type	Shell-type	Ø Roller	Roll face	Between flats	Shaft length	Ø Shaft	Width of flat	Shaft end design	Length of flat *	Bearing
Example	800	Carry	Steel	127	315	323	343	25	14	Flat	-	6205
1												
2												
3												
4												
5												
6												
7												
8												
9												
10												

* If internal flat

Comments:



Reference list



Operator's Manuals

No.	Name	Language
2974	Trellex Pre Cleaners ABC ONE	Multi
2485	Trellex Pre Cleaners ABC, ABC HD, ABC HMS	Multi
2486	Trellex Pre Cleaners ABC, ABC HD, ABC HMS	Slav
2610	Trellex Pre Cleaners ABC HD-XL, ABC HD-L	Multi
2935	Trellex Sec Cleaners ABC T HS, ABC T HMS	Multi
3169	Trellex Sec Cleaners ABC T HMS HD-L	Multi
2506	Trellex Belt Brush	Multi
69	Trellex SIT Scraper Installation Tool	Multi
2064	Trellex Traclag	Multi
2593	Trellex Griplag	Multi
2075	Trellex Pulley Bars	Multi
2049	Trellex Cerlag	Multi
2088	Trellex Clamp On	Multi
2144	Trellex Snap On	Multi
2916	Trellex Head Pulley Guard	Multi
2920	Trellex Tail Pulley Guard	Multi
PL2MAN13	Trellex Belt Conductor SBC	Multi
PL2MAN12	Trellex Belt Conductor RBC	Multi

Multi = English
 German
 French
 Swedish
 Spanish
 Portuguese

Slav. = Italian
 Russia
 Polish
 Czech
 Hungarian
 Turkish
 Finnish

Other

No.	Name	Language
2836	Trellex SIT Scraper Installation Tool	Multi



Reliability in Conveying

Wouldn't it be more efficient to have one supplier for all your conveyor needs? Metso provides just that. We offer the most complete and versatile product range on the market to maximise the efficiency and safety of your conveyor operations. Whatever conveyor structure you operate, we have everything you need.

